

# Chicago Valves & Controls

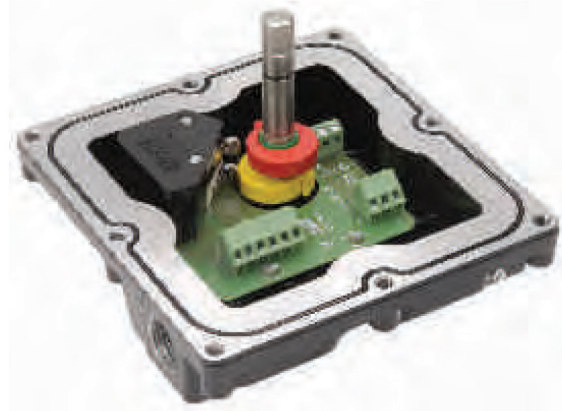


## DNLF1-Explosion Proof SPDT Mechanical Switch



### FEATURES

- Explosion proof to I, IIA, IIB, and IIC
- Enclosure Certified by UL to UL 1203 and UL 508, File No. E246615
- Switch Box conforms to Ex D IIC, T6 highest level of safety
- ATEX Certified by CESI, Italy, Certification No. CESI 05 ATEX017
- Aluminum die cast enclosure, powder coated for superior corrosion resistance
- Weather proof enclosure to IP67
- Polycarbonate Dome, Shatterproof
- Red and Yellow Indicator
- Color coded cams easy to identify, and easy to set
- Serrated cams locked together ensures adjusted settings secured against any vibration
- Special circuit board eliminates internal wiring
- Circuit board laminated for complete corrosion protection
- Solenoid termination inside the switch box is standard
- Two conduit entries provided as standard
- Conduit entry options: 1/2" NPT, 3/4" NPT, M20X1.5
- Complies to Namur mounting standard
- Temperature range 4°F to 146°F
- Bracket available as option



### ORDERING OPTIONS

Series	Switch	Qty. Switches	Conduit Entry	Body/Cover	Bracket	Certificates
DNLF		1	4R 1/2" NPT	B Aluminum-Black		U CU <sub>L</sub> , UL <sub>L</sub>
		2	6R 3/4" NPT	Y Aluminum-Yellow		C CE
			3M M20X1.5	L Aluminum-Blue		A ATEX
				B5 CF8M Stainless Steel		CM CMRI
						CC CMRI CCDE

Refer to Bracket Selection Page

CODE	MAKE	MODEL	RATING
1A	Honeywell	V5C010EN3D	10Amp 120 or 250 VAC, 220 VDC 50Hz/60Hz, NO/NC
11A	Honeywell	V7 1C17E9 201	15Amp 120 or 250 VAC, 220 VDC 50Hz/60Hz, NO/NC
1B	Cherry	D43 CQ1 RA	5Amp 125 or 250 VAC, 220 VDC NO/NC
11B	Cherry	D45 CQ1 RA	15Amp 125 or 250 VAC, 220 VDC NO/NC

### ORDERING EXAMPLE

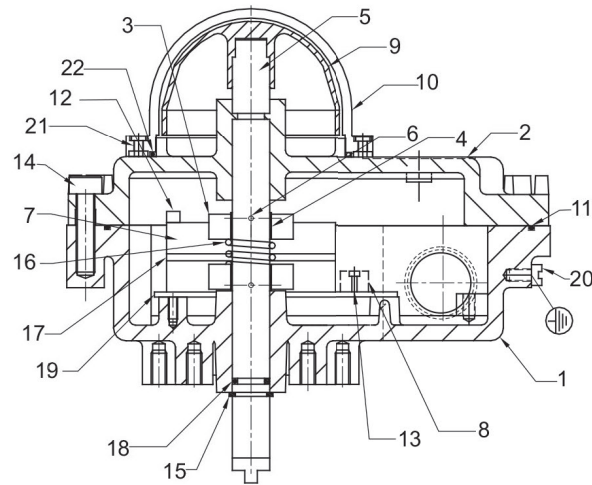
- DNLF-1A2-6R-B-BKS1-U
- Explosion proof to I, II A and II B and Weather proof box provided with Honeywell 15 Amps switches 2 nos, each with one NO and one NC, 3/4" NPT cable gland entry. With Stainless Steel bracket, 80X30 tapping, 20mm pinion height, UL approved.

## DNLF1-Explosion Proof SPDT Mechanical Switch

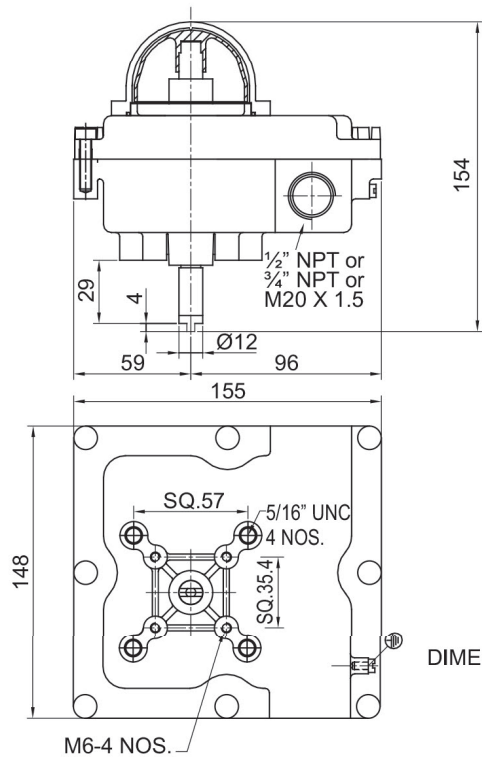
### MATERIAL OF CONSTRUCTION

22	'O'RING	1	NBR
21	PHILIPS HEAD SCREW	4	STAINLESS STEEL
20	SCREW FOR EARTHING	2	STAINLESS STEEL
19	CIRCUIT BOARD	1	-
18	'O'RING	2	NBR
17	PAD	1	POLYAMIDE
16	SPRING	1	STAINLESS STEEL
15	'E' TYPE CIRCLIP	1	SPRING STEEL
14	SCREW FOR COVER	8	STAINLESS STEEL
13	SCREW FOR CONN. STRIP	2	STAINLESS STEEL
12	SCREW FOR MICROSWITCH	2	STAINLESS STEEL
11	GASKET	1	NBR
10	INDICATOR COVER	1	POLYCARBONATE
9	INDICATOR	1	ABS PLASTIC
8	CONNECTOR STRIP-6WAY	1	POLYIMIDE
7	MICROSWITCH (SPDT)	2	HONEYWELL/CHERRY
6	SPRING DOWEL	2	SPRING STEEL
5	SHAFT	1	STAINLESS STEEL
4	CAM-LOCK	2	PCM
3	CAM	2	POLYAMIDE
2	COVER	1	ALUMINUM ALLOY LM-6
1	HOUSING	1	ALUMINUM ALLOY LM-6
S.NO.	DESCRIPTION	QTY.	MATERIAL

### CROSS SECTION

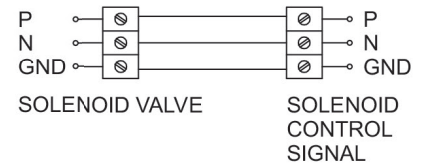


### DIMENSION DETAILS



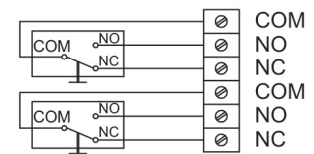
DIMENSION 'X' OPTIONS : 1/2" NPT  
3/4" NPT  
M20X1.5

### WIRING DIAGRAM



Valve open    BOTTOM  
Yellow cam    SWITCH

Valve closed    TOP  
Red cam        SWITCH



## DNLF5-Explosion Proof DPDT Mechanical Switch



### FEATURES

- Explosion proof to I, IIA, IIB, and IIC
- Enclosure certified to UL 1203 & UL508, File No. 246615
- Switch Box conforms to Ex D IIC, T6 highest level of safety
- ATEX certified by CESI, Italy, Cert No. CESI 05 ATEX017
- Aluminum die cast enclosure, powder coated for superior corrosion resistance
- Weather proof enclosure to IP67
- Polycarbonate Dome, Shatterproof
- Red and Yellow Indicator
- Color coded cams easy to identify, easy to set
- Special circuit board eliminates internal wiring
- Circuit board laminated for complete corrosion protection
- Solenoid termination inside the switch box not available
- Serrated cams locked together ensures adjusted settings secured against any vibration
- Two conduit entries provided as standard
- Conduit entry options 1/2" NPT, 3/4" NPT, M20X1.5
- Temperature 4°F to 146°F
- Bracket available as option



### ORDERING OPTIONS

Series	Switch	Qty. Switches	Conduit Entry		Body/Cover		Bracket	Certificates	
DNLF		1	4R	1/2" NPT	B	Aluminum-Black		U	CU <sub>L</sub> , UL <sub>L</sub>
		2	6R	3/4" NPT	Y	Aluminum-Yellow		C	CE
			3M	M20X1.5	L	Aluminum-Blue		A	ATEX
					B5	CF8M Stainless Steel		CM	CMRI
								CC	CMRI CCDE

Refer to Bracket Selection Page

CODE	MAKE	MODEL	RATING
5A	Honeywell	V5C010EN3D	10Amp 120 or 250 VAC, 220 VDC 50Hz/60Hz, NO/NC
15A	Honeywell	V7 1C17E9 201	15Amp 120 or 250 VAC, 220 VDC 50Hz/60Hz, NO/NC
1B	Cherry	D43 CQ1 RA	5Amp 125 or 250 VAC, 220 VDC NO/NC
11B	Cherry	D45 CQ1 RA	15Amp 125 or 250 VAC, 220 VDC NO/NC

### ORDERING EXAMPLE

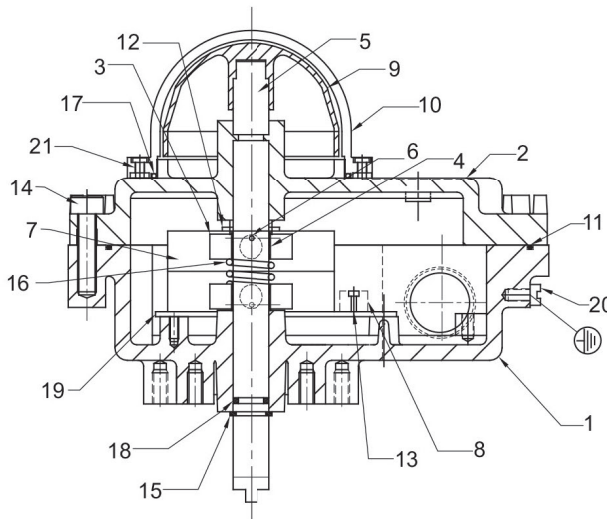
- DNLF-5A2-6R-B-BKS1-A
- Explosion proof to I, II A and II B and Weather proof box provided with Honeywell 10 Amp switches 2 nos, each with two NO and two NC, 3/4" NPT cable gland entry. With Stainless Steel bracket suitable for 80X30 tapping and for 20mm pinion height. With ATEX Certification.

## DNLF5-Explosion Proof DPDT Mechanical Switch

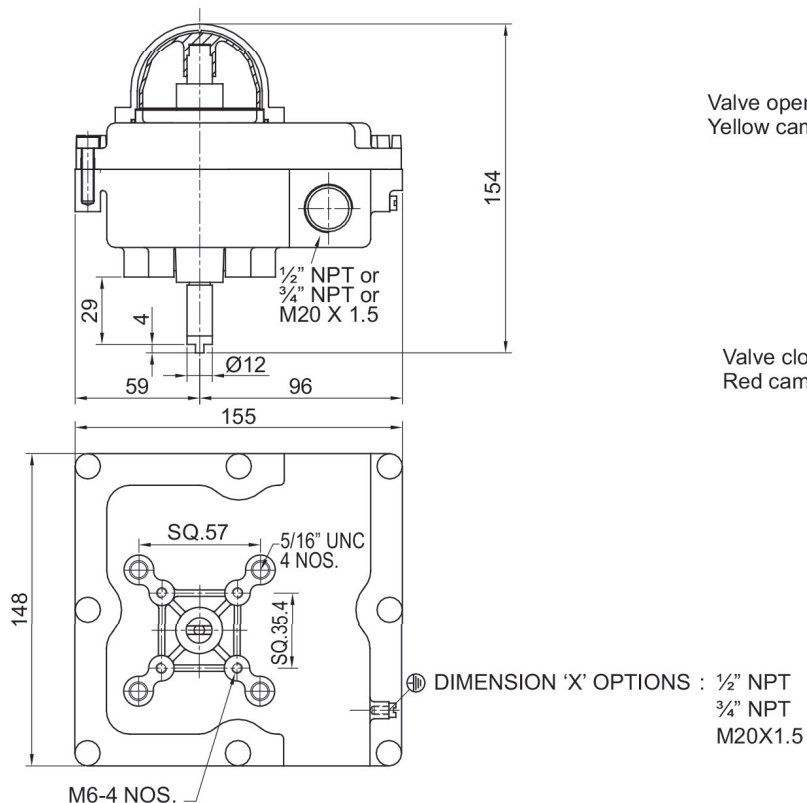
### MATERIAL OF CONSTRUCTION

21	PHILIPS HEAD SCREW	4	STAINLESS STEEL
20	SCREW FOR EARTHING	2	STAINLESS STEEL
19	CIRCUIT BOARD	1	-
18	'O'RING	2	NBR
17	'O'RING	1	NBR
16	SPRING	1	STAINLESS STEEL
15	'E' TYPE CIRCLIP	1	SPRING STEEL
14	SCREW FOR COVER	8	STAINLESS STEEL
13	SCREW FOR CONN. STRIP	2	STAINLESS STEEL
12	SCREW FOR BRACKET	2	STAINLESS STEEL
11	GASKET	1	NBR
10	INDICATOR COVER	1	POLYCARBONATE
9	INDICATOR	1	ABS PLASTIC
8	CONNECTOR STRIP 6 WAY	1	POLYIMIDE
7	MICROSWITCH (DPDT)	2	HONEYWELL/CHERRY
6	SPRING DOWEL	2	SPRING STEEL
5	SHAFT	1	STAINLESS STEEL
4	CAM-LOCK	2	POM
3	CAM	2	POLYIMIDE
2	COVER	1	ALUMINUM ALLOY LM-6
1	HOUSING	1	ALUMINUM ALLOY LM-6
S.NO.	DESCRIPTION	QTY.	MATERIAL

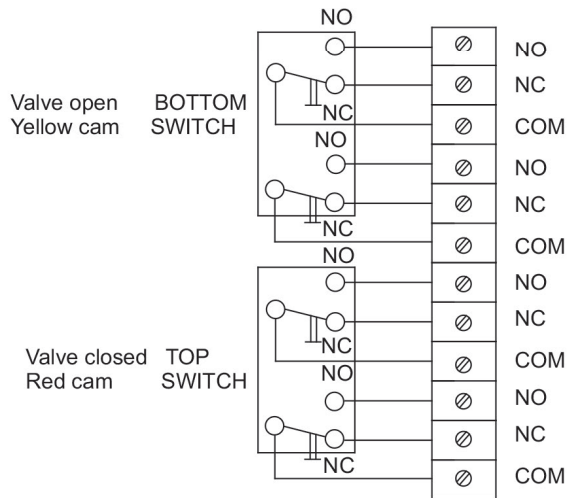
### CROSS SECTION



### DIMENSION DETAILS



### WIRING DIAGRAM



## DXLW1-Weather Proof SPDT Mechanical Switch



### FEATURES

- Aluminum die cast enclosure, powder coated for superior corrosion resistance
- Weather proof enclosure to IP67
- Enclosure Certified by UL to UL508, File No. E249752
- Poly carbonate Dome, Shatterproof
- Red and Yellow Indicator
- Color coded cams easy to identify, and easy to set
- Serrated cams locked together ensures adjusted settings secured against any vibration
- Special circuit board eliminates internal wiring
- Circuit board laminated for complete corrosion protection
- Solenoid termination inside the switch box is standard
- Three conduit entries provided as standard
- Conduit entry options : ½" NPT, M20X1.5
- Complies to Namur mounting standard
- Temperature range 4°F to 146°F
- Bracket available as option



### ORDERING OPTIONS

Series	Switch	Qty. Switches	Conduit Entry	Body/Cover	Bracket	Certificates
DXLW		1	4R ½" NPT	B Aluminum-Black		U CU <sub>L</sub> , UL <sub>L</sub>
		2	3M M20X1.5	Y Aluminum-Yellow		C CE
				L Aluminum-Blue		
				B5 CF8M Stainless Steel		

CODE	MAKE	MODEL	RATING
1A	Honeywell	V5C010EN3D	10Amp 120 or 250 VAC, 220 VDC 50Hz/60Hz, NO/NC
11A	Honeywell	V7 1C17E9 201	15Amp 120 or 250 VAC, 220 VDC 50Hz/60Hz, NO/NC

Refer to Bracket Selection Page

### ORDERING EXAMPLE

- DXLW-1A2-4R-B-BKS1-U
- Weather proof switch box provided with (2) Honeywell 10 Amp switches, ½" NPT conduit entry, black enclosure. With stainless steel bracket suitable for 80X30 tapping and for 20mm pinion, UL approved.

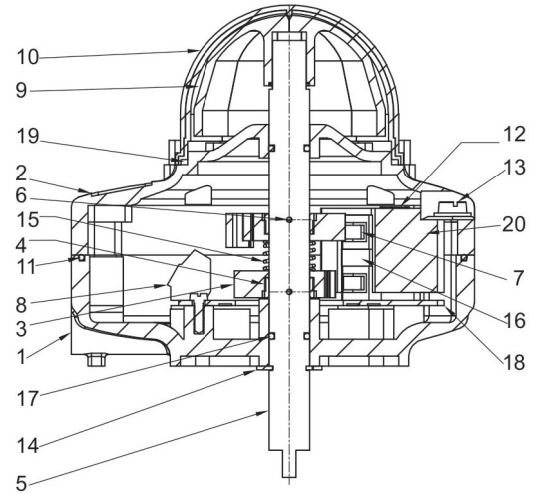
Specifications are subject to change without notice

## DXLW1-Weather Proof SPDT Mechanical Switch

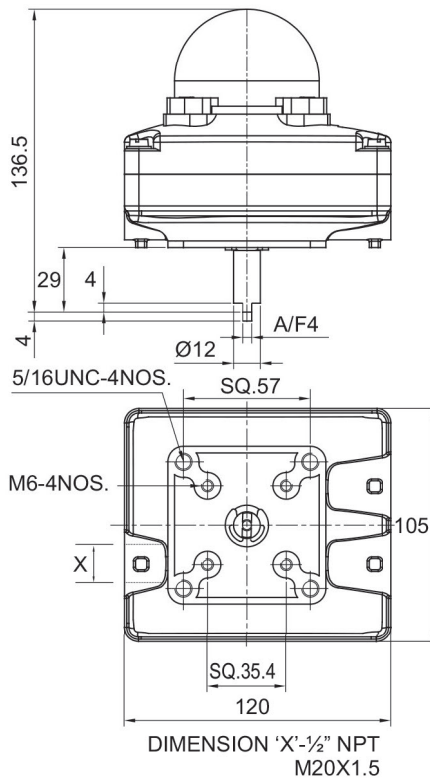
### MATERIAL OF CONSTRUCTION

20	COVER FOR MICROSWITCH	1	POLYAMIDE
19	'O'RING	1	NBR
18	CIRCUIT BOARD	1	-
17	'O'RING	1	NBR
16	PAD	1	POLYAMIDE
15	SPRING	1	STAINLESS STEEL
14	'E' TYPE CIRCLIP	1	SPRING STEEL
13	NON FALLING SCREW	4	STAINLESS STEEL
12	SCREW FOR MICROSWITCH	2	STAINLESS STEEL
11	GASKET	1	NBR
10	INDICATOR COVER	1	POLYCARBONATE
9	INDICATOR	1	ABS PLASTIC
8	THREE WAY TERMINAL BLOCK	4	-
7	MICROSWITCH (SPDT)	2	HONEYWELL/CHERRY
6	SPRING DOWEL	2	SPRING STEEL
5	SHAFT	1	STAINLESS STEEL
4	CAM-LOCK	2	DELTRIN
3	CAM	2	POLYCARBONATE
2	COVER	1	ALUMINUM ALLOY LM-6
1	HOUSING	1	ALUMINUM ALLOY LM-6
S.NO.	DESCRIPTION	QTY.	MATERIAL

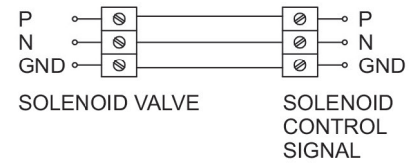
### CROSS SECTION



### DIMENSION DETAILS

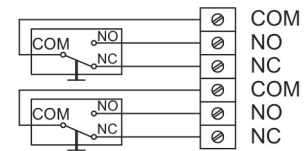


### WIRING DIAGRAM



Valve open  
 Yellow cam  
 BOTTOM  
 SWITCH

Valve closed  
 Red cam  
 TOP  
 SWITCH



# VERSATILE LIMITSWITCH



PROFIBUS<sup>®</sup>

DEVICENET<sup>®</sup>

CANOPEN<sup>®</sup>

ASI<sup>®</sup>



**ROTEX**  
CONTROLS, INC.



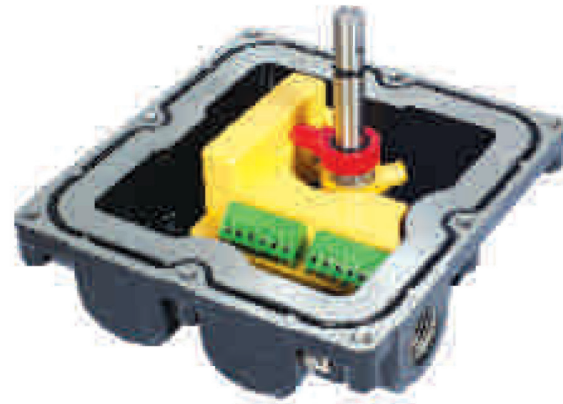
## DNLF6-Explosion Proof Hermetically Sealed Prox Switch

### ROTEX Cobra Switch



#### FEATURES

- Explosion proof to I, IIA, IIB, and IIC
- Enclosure certified to UL 1203 & UL508, File No. 246615
- Switch Box conforms to Ex D IIC, T6 highest level of safety
- ATEX certified by CESI, Italy, Cert No. CESI 05 ATEX017
- Aluminum die cast enclosure, powder coated for superior corrosion resistance
- Weather proof enclosure to IP67
- Polycarbonate Dome, Shatterproof
- Red and Yellow Indicator
- Color coded cams easy to identify, easy to set
- Special circuit board eliminates internal wiring
- Circuit board laminated for complete corrosion protection
- Solenoid termination inside the switch box is standard
- Serrated cams locked together ensures adjusted settings secured against any vibration
- Two conduit entries provided as standard
- Conduit entry options 1/2" NPT, 3/4" NPT, M20X1.5
- Temperature 4°F to 146°F
- Bracket available as option



#### ORDERING OPTIONS

Series	Switch	Qty. Switches	Conduit Entry	Body/Cover	Bracket	Certificates
DNLF		1	4R 1/2" NPT	B Aluminum-Black		U CU <sub>L</sub> , UL <sub>L</sub>
		2	6R 3/4" NPT	Y Aluminum-Yellow		C CE
			3M M20X1.5	L Aluminum-Blue		A ATEX
				B5 CF8M Stainless Steel		

CODE	MAKE	MODEL	RATING
6A	Hermetic Switch Inc.	COBRA	2Amps, 220V AC/DC, 50Hz/60Hz, NO/NC
16A	Hermetic Switch Inc.	<b>COBRA GOLD</b>	0-48 VDC, up to 100mA 0-220 VAC, 20 mA

Refer to Bracket Selection Page

#### ORDERING EXAMPLE

- DNLF-6A2-6R-B-BKS1-A
- Explosion proof box with (2) hermetically sealed switches, 3/4" conduit entries, black enclosure, with stainless steel bracket suitable for 80X30 tapping and for 20mm pinion height. With ATEX certificate

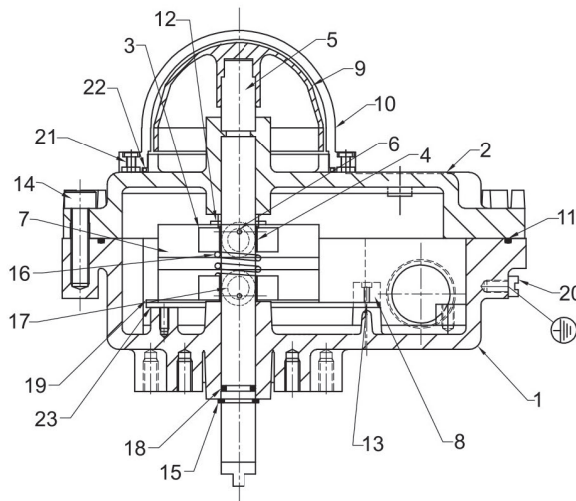
## DNL6-Explosion Proof Hermetically Sealed Prox Switch

## ROTEX Cobra Switch

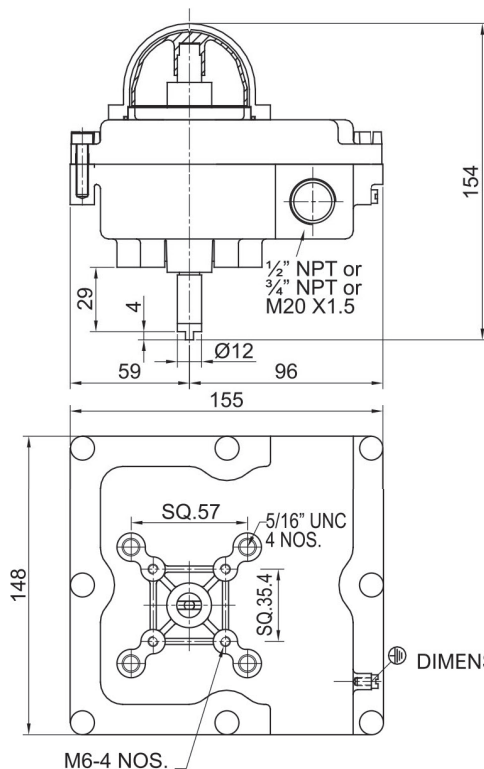
### MATERIAL OF CONSTRUCTION

23	CIRCUIT BOARD	1	-
22	'O'RING	1	NBR
21	PHILIPS HEAD SCREW	4	STAINLESS STEEL
20	SCREW FOR EARTHING	2	STAINLESS STEEL
19	MOUNTING PLATE	1	M.S.
18	'O'RING	2	NBR
17	CAM INSERT	2	POLYAMIDE
16	SPRING	1	STAINLESS STEEL
15	'E' TYPE CIRCLIP	1	SPRING STEEL
14	NON FALLING SCREW	8	STAINLESS STEEL
13	SCREW FOR CONN. STRIP	2	STAINLESS STEEL
12	SCREW FOR REEDSWITCH	2	STAINLESS STEEL
11	GASKET	1	NBR
10	INDICATOR COVER	1	POLYCARBONATE
9	INDICATOR	1	ABS PLASTIC
8	CONNECTOR STRIP-6WAY	1	POLYIMIDE
7	REED SWITCH ASSEMBLY	2	-
6	SPRING DOWEL	2	SPRING STEEL
5	SHAFT	1	STAINLESS STEEL
4	CAM-LOCK	2	POM
3	CAM	2	POLYCAMIDE
2	COVER	1	ALUMINUM ALLOY LM-6
1	HOUSING	1	ALUMINUM ALLOY LM-6
<b>S.NO.</b>	<b>DESCRIPTION</b>	<b>QTY.</b>	<b>MATERIAL</b>

### CROSS SECTION



### DIMENSION DETAILS



### WIRING DIAGRAM

