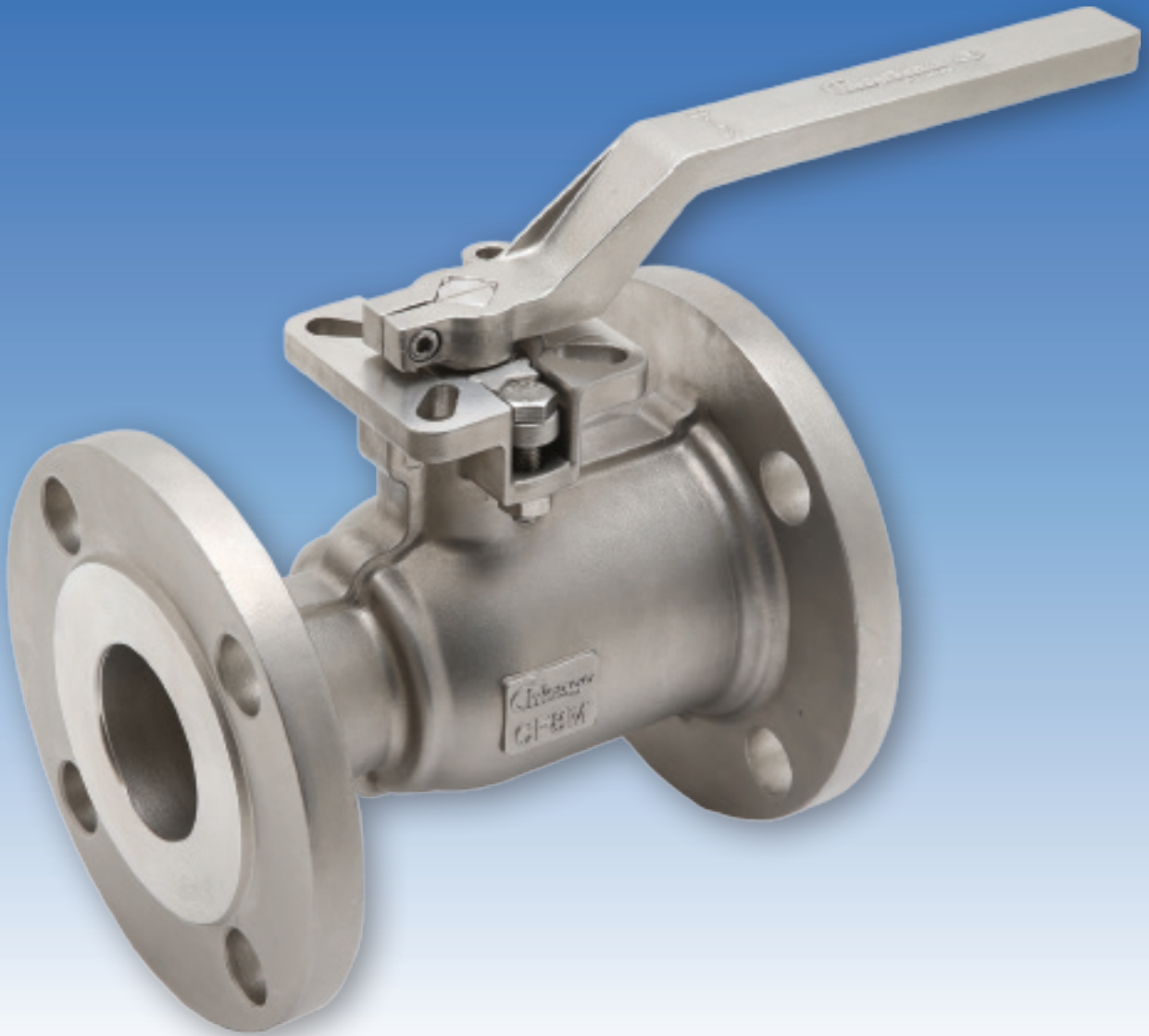


Chicago Valves & Controls



SERIES 81

FLANGED STANDARD PORT

BALL VALVE CLASS 150

CARBON STEEL - ASTM A216 WCB
 316 STAINLESS STEEL ASTM CF8M

ANTI STATIC DEVICE
 LIVE LOADED STEM

DIRECT MOUNTED PAD

ELEVATED PAD ALLOWED TO ADJUST

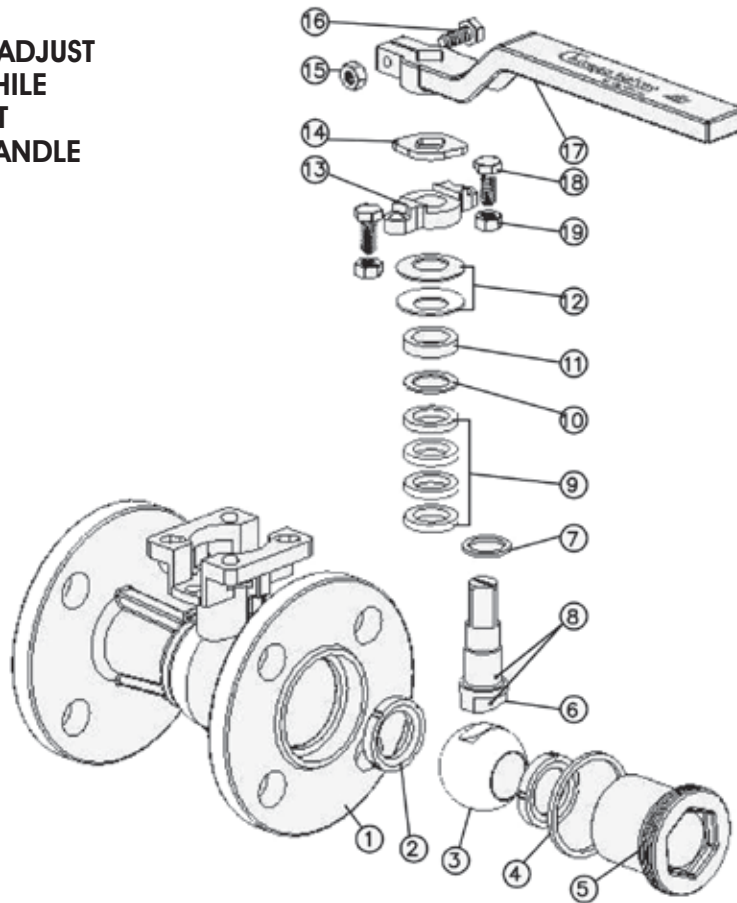
GLAND PACKING FLANGE WHILE

VALVE IS IN SERVICE WITHOUT

REMOVING ACTUATOR OR HANDLE

NACE MR0175

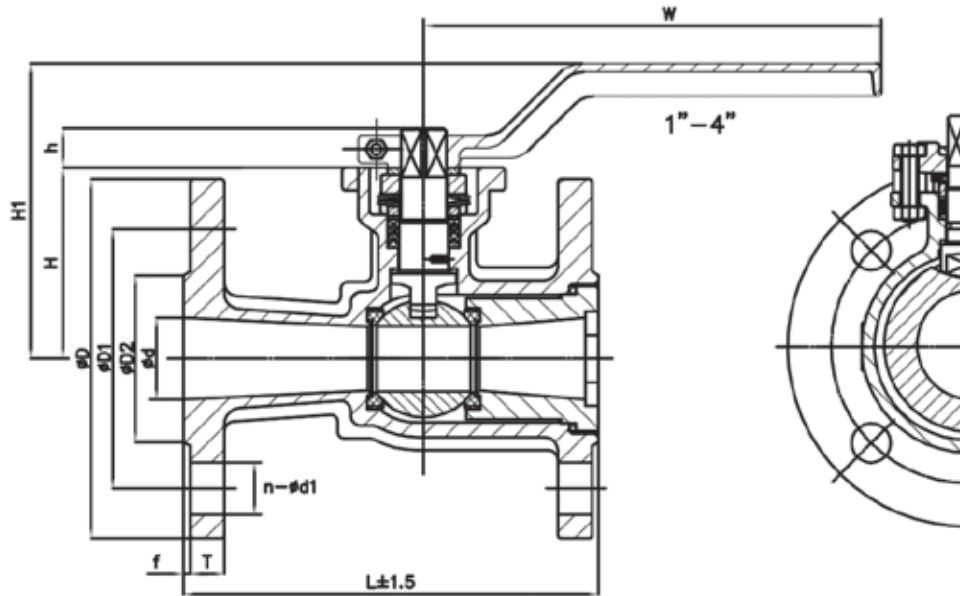
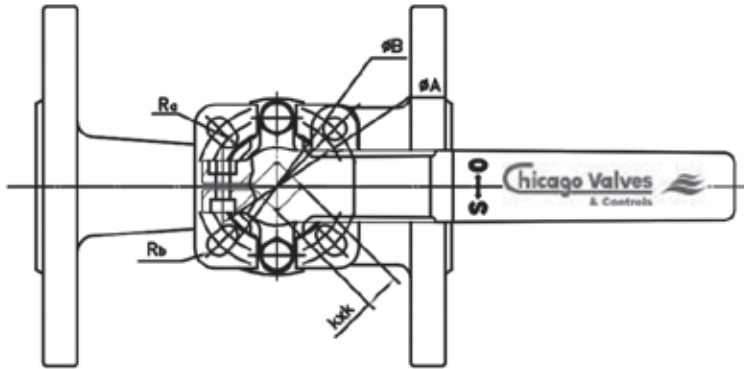
Series 81



PARTS & MATERIAL

PART NO.	PART NAME	QTY.	MATERIAL
1	Body	1	Carbon Steel ASTM A216 WCB 316 Stainless Steel ASTM A351 CF8M
2	Seat	2	RTFE
3	Ball	1	316 Stainless Steel
4	Seat Retainer	1	Carbon Steel ASTM A216 WCB 316 Stainless Steel ASTM A351 CF8M
5	Body Seal	1	PTFE
6	Stem	1	316 Stainless Steel
7	Thrust Bearing	1	RTFE
8	Anti-Static Balls	2	300 Series Stainless Steel Hard Drawn Stainless Steel
9	Stem Packing	4	TFM
10	Packing Protector	1	RTFE
11	Gland Packing	1	300 Series Stainless Steel
12	Belleville Washer	2	300 Series Stainless Steel
13	Gland Flange	1	304 Stainless Steel
14	Travel Stop	1	304 Stainless Steel
15	Nut	2	300 Series Stainless Steel
16	Bolt	1	300 Series Stainless Steel
17	Handle	1	Carbon Steel ASTM A216 WCB 304 Stainless Steel
18	Gland Flang Bolt	2	300 Series Stainless Steel
19	Gland Flang Nut	2	300 Series Stainless Steel

Series 81



DIMENSIONS (INCHES)

Nominal Diameter	L	d	D2	D1	D	b	f	n-#d1	H	h	H1	W	Ra	Rb	A	B	KKK
1"	5.00	0.98	2.01	3.13	4.33	0.41	0.08	4-#0.63	2.36	0.35	4.01	6.69	0.12	0.14	1.65	1.97	0.35X0.35
1 1/2"	6.50	1.58	2.87	3.87	4.92	0.50	0.08	4-#0.63	2.76	0.43	4.84	7.87	0.14	1.97	1.97	2.76	0.43X0.43
2"	7.00	1.97	3.62	4.75	9.51	0.56	0.08	4-#0.75	3.35	0.55	5.16	7.87	0.14	1.97	1.97	2.76	0.561X0.56
2 1/2"	7.48	2.56	4.13	5.50	7.09	0.63	0.08	4-#0.75	3.74	0.55	6.18	11.81	1.97	0.22	2.76	4.02	0.561X0.56
3"	7.99	3.15	5.00	6.00	7.48	0.69	0.08	4-#0.75	4.13	0.67	6.69	11.81	1.97	0.22	2.76	4.02	0.67X0.67
4"	9.02	3.94	6.18	7.50	9.06	0.88	0.08	8-#0.75	5.55	0.67	7.28	11.81	1.97	0.22	2.76	4.02	0.67X0.67

Series 81

APPLICABLE STANDARDS

BASIC DESIGN	ASME B16.34
FACE TO FACE DIMENSION	ASME B16.10
FLANGE DIMENSIONS	ASME B16.5
TEST	API 598
MOUNTED PADS DIEM	ISO 5211

SIZE	CV (GPM)	WEIGHT (LBS)
1"	25	4.42
1 1/2"	82	8.80
2"	120	14.92
2 1/2"	240	21.31
3"	350	33.45
4"	720	40.61

PRESSURE-TEMPERATURE RATINGS SERIES 81

