

Chicago Valves & Controls



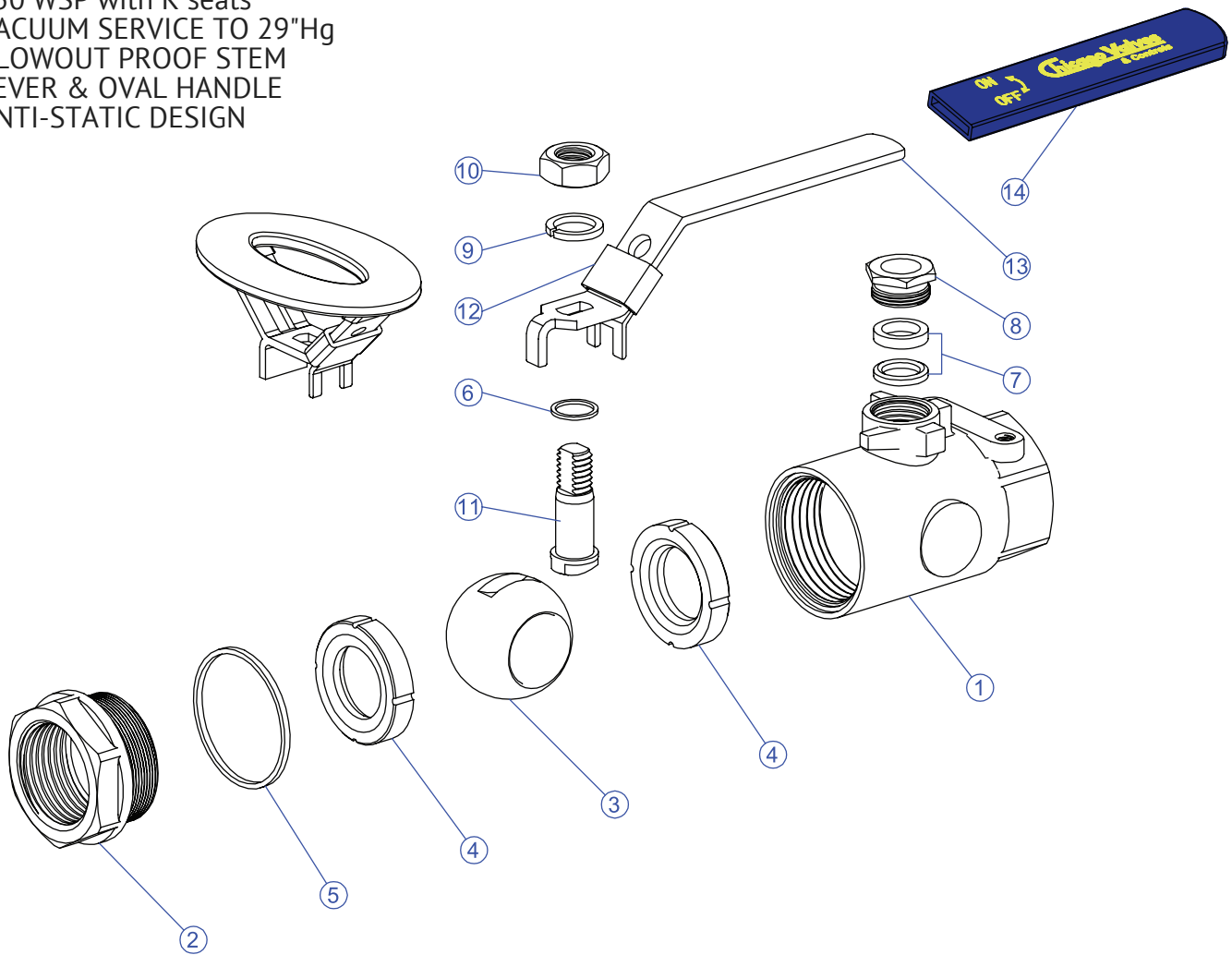
SERIES 24

STANDARD PORT THREADED

2PC BALL VALVE

2000 CWP (1/4"-1")
 1500 CWP (1 1/4"-2")
 316 STAINLESS STEEL - ASTM A351 CF8M
 CARBON STEEL - ASTM A216 WCB
 150 WSP with RTFE seats
 250 WSP with K seats
 VACUUM SERVICE TO 29"Hg
 BLOWOUT PROOF STEM
 LEVER & OVAL HANDLE
 ANTI-STATIC DESIGN

Series 24



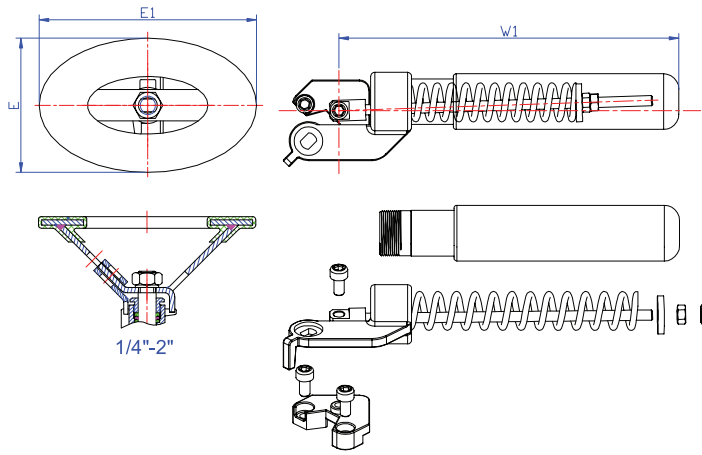
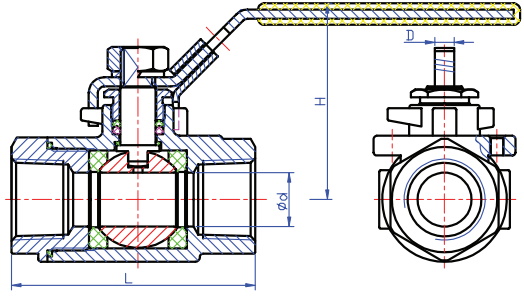
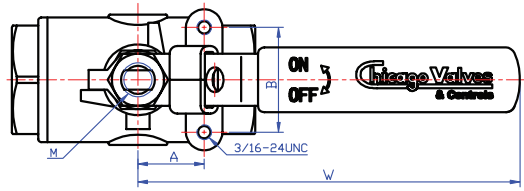
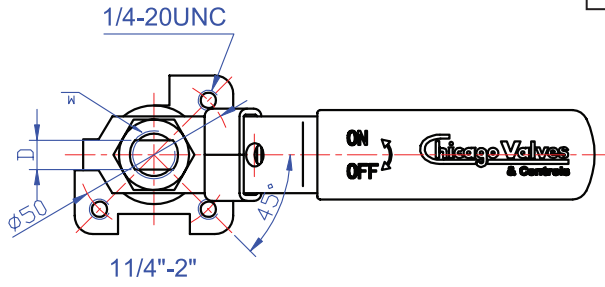
PARTS AND MATERIAL

| PART NO. | PART NAME | QTY. | MATERIAL |
|----------|----------------|------|--|
| 1 | Body | 1 | Carbon Steel ASTM A216 WCB 316 Stainless Steel ASTM A351 CF8M |
| 2 | End Piece | 1 | Carbon Steel ASTM A216 WCB 316 Stainless Steel ASTM A351 CF8M |
| 3 | Ball | 1 | 316 Stainless Steel |
| 4 | Seat | 2 | RTFE Carbon Fill PTFE |
| 5 | Body Seal | 1 | PTFE |
| 6 | Thrust Washer | 1 | Carbon Fill PTFE |
| 7 | Stem Packing | 2 | PTFE |
| 8 | Packing Nut | 1 | 300 Series Stainless Steel |
| 9 | Lock Washer | 1 | 300 Series Stainless Steel |
| 10 | Handle Nut | 1 | 300 Series Stainless Steel |
| 11 | Stem | 1 | 316 Stainless Steel |
| 12 | Locking Device | 1 | 300 Series Stainless Steel |
| 13 | Handle | 1 | 300 Series Stainless Steel |
| 14 | Handle Sleeve | 1 | PVC |

SPRING LOADED HANDLE

| PART NO. | PART NAME | QTY. |
|----------|---------------|------|
| 1 | Handle Gland | 1 |
| 2 | Socket Screw | 2 |
| 3 | Head Cap | 1 |
| 4 | Machine Screw | 1 |
| 5 | Threaded Rod | 1 |
| 6 | Spring Coil | 1 |
| 7 | Flat Washer | 1 |
| 8 | Hex Nut | 2 |
| 9 | Handle Pipe | 1 |
| 10 | Handle Sleeve | 1 |

Series 24



DIMENSIONS (INCHES)

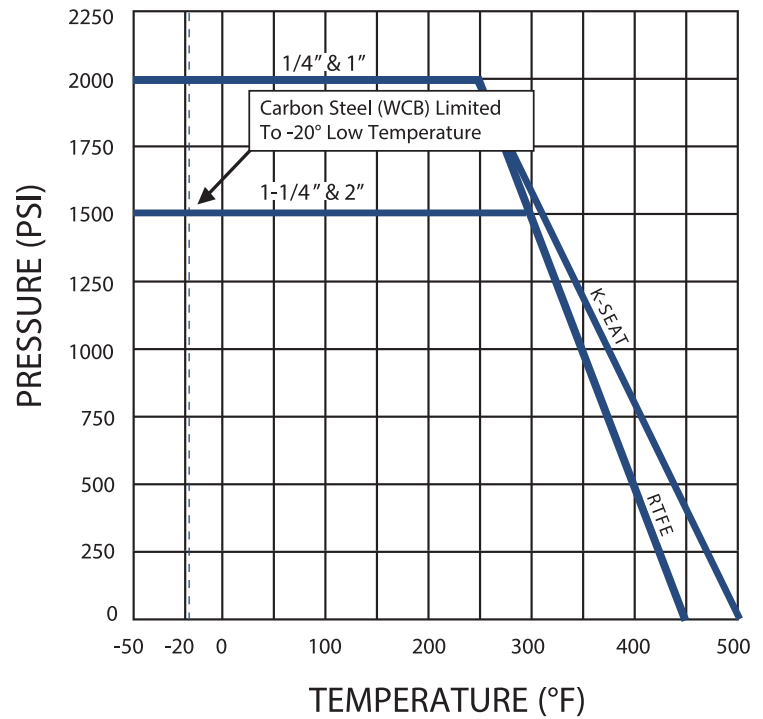
| SIZE | d | L | H | W | W1 | D | E | E1 | A | B | M |
|--------|------|------|------|------|-------|------|------|------|------|------|------------|
| 1/4" | 0.46 | 2.25 | 2.13 | 3.94 | 7.24 | 0.21 | 2.48 | 4.02 | 0.45 | 1.11 | 5/16-18UNC |
| 3/8" | 0.50 | 2.25 | 2.13 | 3.94 | 7.24 | 0.21 | 2.48 | 4.02 | 0.45 | 1.11 | 5/16-18UNC |
| 1/2" | 0.50 | 2.32 | 2.13 | 3.94 | 7.24 | 0.21 | 2.48 | 4.02 | 0.45 | 1.11 | 5/16-18UNC |
| 3/4" | 0.69 | 3.12 | 2.50 | 4.88 | 7.24 | 0.25 | 2.48 | 4.02 | 0.85 | 1.34 | 7/16-14UNC |
| 1" | 0.88 | 3.40 | 2.66 | 4.88 | 9.21 | 0.25 | 2.48 | 4.02 | 1.03 | 1.34 | 7/16-14UNC |
| 1-1/4" | 1.00 | 4.08 | 3.47 | 5.75 | 7.24 | 0.37 | 3.19 | 5.20 | | | 5/8-18UNC |
| 1-1/2" | 1.26 | 4.35 | 3.63 | 5.75 | 12.99 | 0.37 | 3.19 | 5.20 | | | 5/8-18UNC |
| 2" | 1.50 | 5.39 | 3.82 | 5.75 | 12.99 | 0.37 | 3.19 | 5.20 | | | 5/8-18UNC |

APPLICABLE STANDARDS

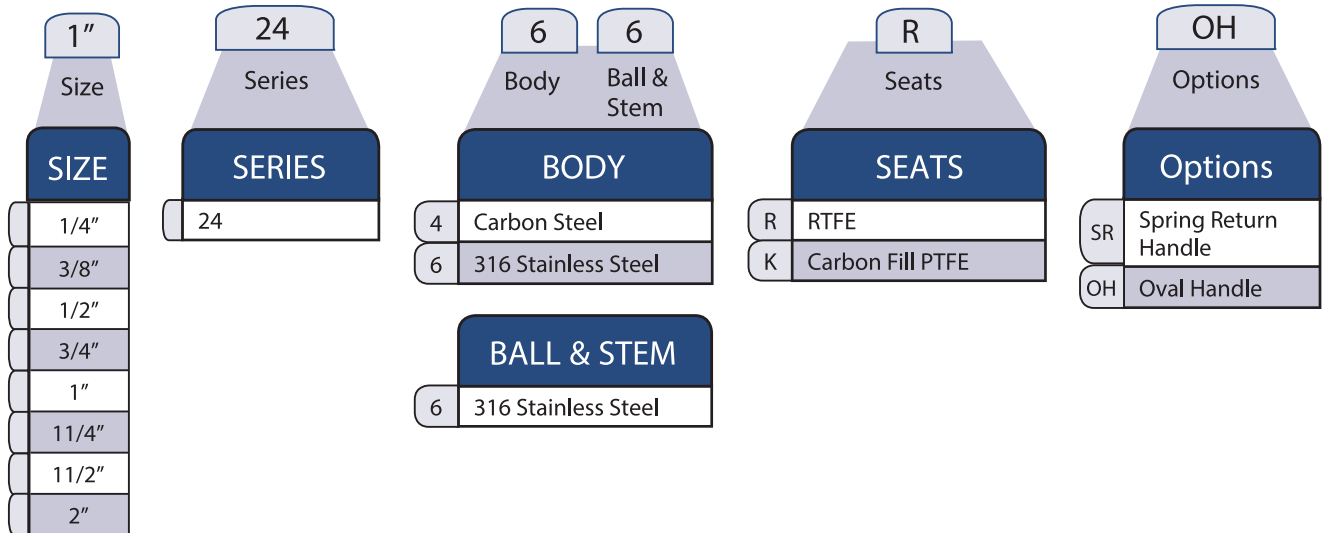
| | |
|---------------|-------------|
| SHELL TEST | ASME B16.34 |
| SEAT TEST | ASME B16.34 |
| THREADED ENDS | ASME B16.11 |

| SIZE | CV (GPM) | WEIGHT (LBS) |
|--------|----------|--------------|
| 1/4" | 6 | 0.75 |
| 3/8" | 7 | 0.71 |
| 1/2" | 7 | 0.75 |
| 3/4" | 25 | 1.41 |
| 1" | 25 | 1.76 |
| 1-1/4" | 35 | 3.22 |
| 1-1/2" | 46 | 4.32 |
| 2" | 80 | 6.08 |

PRESSURE-TEMPERATURE RATINGS SERIES 24



HOW TO ORDER



**Chicago Valves
& Controls**

Toll-Free (833) 831-2312
 Local (312) 637-3557
 Fax: (312) 637-3543
 E-Mail: sales@chicagovalves.com
www.chicagovalves.com
 885 Cambridge Dr.
 Elk Grove Village, Illinois 60007 U.S.A.

Due to ongoing development of our product line, specifications subject to change without notice. Teflon® is a registered trademark of E.I. DuPont.