

# Chicago Valves & Controls



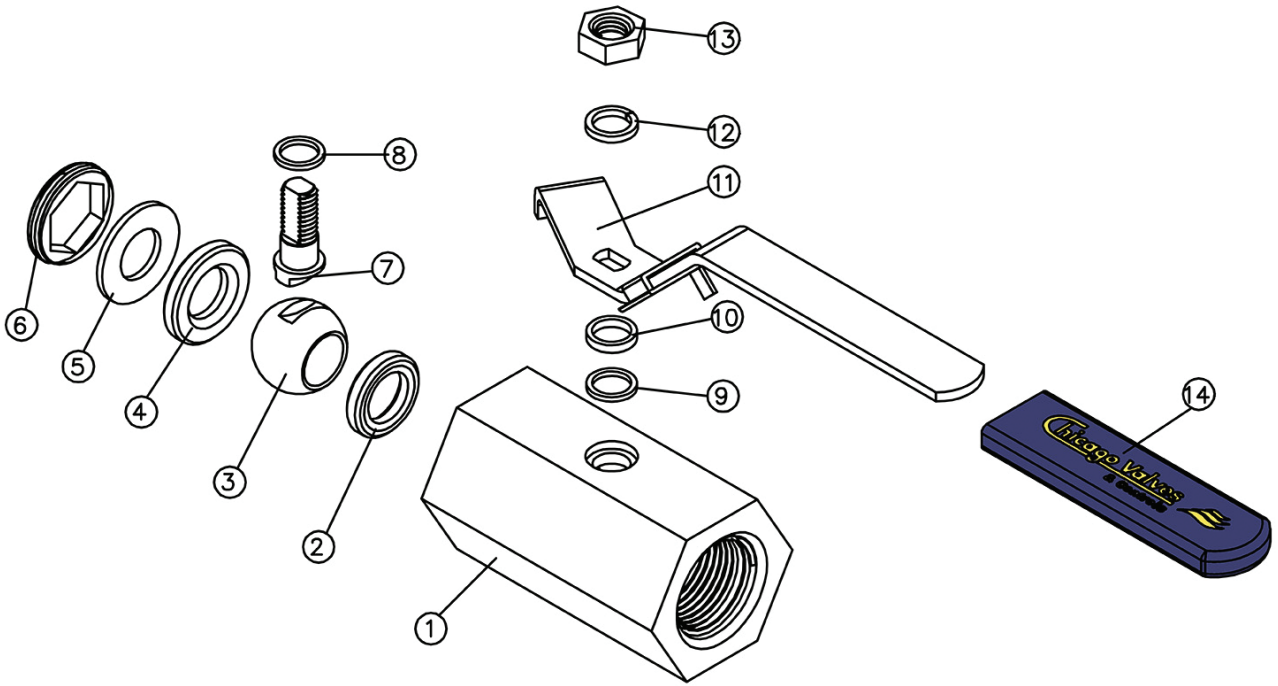
**SERIES 10**

**UNIBODY DESIGN THREADED**

**BALL VALVE**

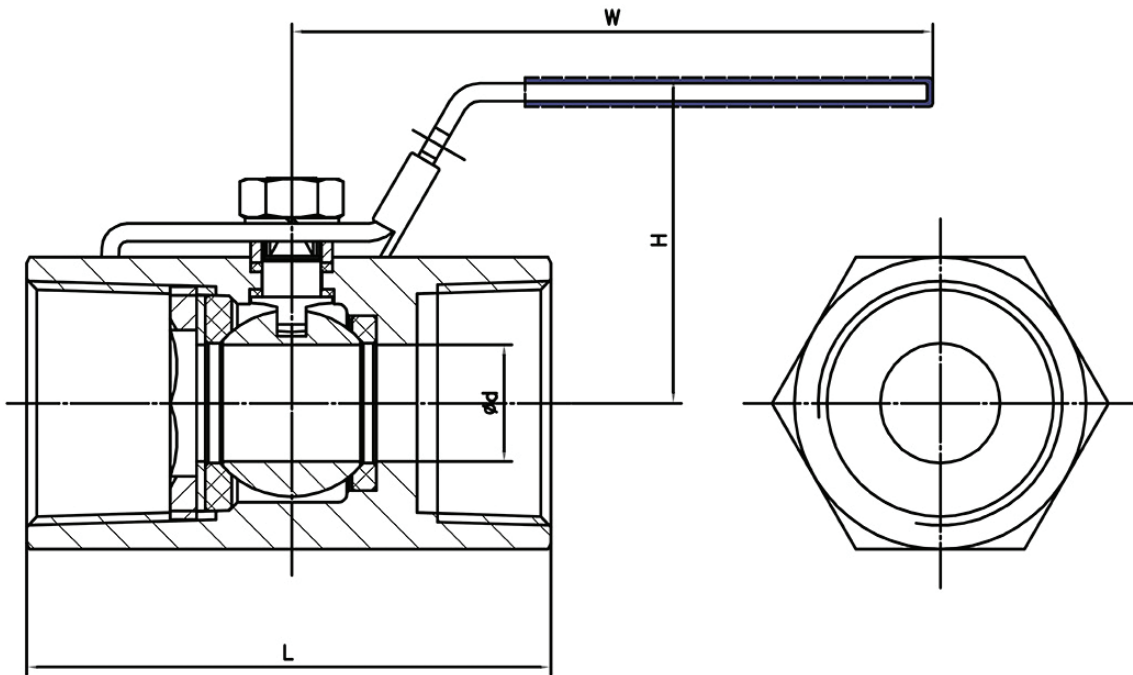
2000 CWP  
 CARBON STEEL ASTM A-105  
 BLOW-OUT PROOF STEM  
 VACUUM SERVICE TO 29" Hg  
 STEAM RATING 150PSI WSP  
 LOCKABLE LEVER HANDLE  
 NACE MR1075  
 ANTI-STATIC DESIGN

Series 10



PARTS & MATERIAL

| PART NO. | PART NAME     | QTY. | MATERIAL                   |
|----------|---------------|------|----------------------------|
| 1        | Body          | 1    | Forged Steel A105          |
| 2        | Seat          | 2    | RTFE                       |
| 3        | Ball          | 1    | 304 Stainless Steel        |
| 4        | Washer        | 1    | 304 Stainless Steel        |
| 5        | Seat Retainer | 1    | 304 Stainless Steel        |
| 6        | Stem          | 1    | 304 Stainless Steel        |
| 7        | Thrust Washer | 1    | Carbon Fill PTFE           |
| 8        | Stem Packing  | 1    | PTFE                       |
| 9        | Gland Packing | 1    | 304 Stainless Steel        |
| 10       | Handle        | 1    | 300 Series Stainless Steel |
| 11       | Spring Washer | 1    | 300 Series Stainless Steel |
| 12       | Handle Nut    | 1    | 300 Series Stainless Steel |
| 13       | Handle Sleeve | 1    | PVC                        |



DIMENSIONS (INCHES)

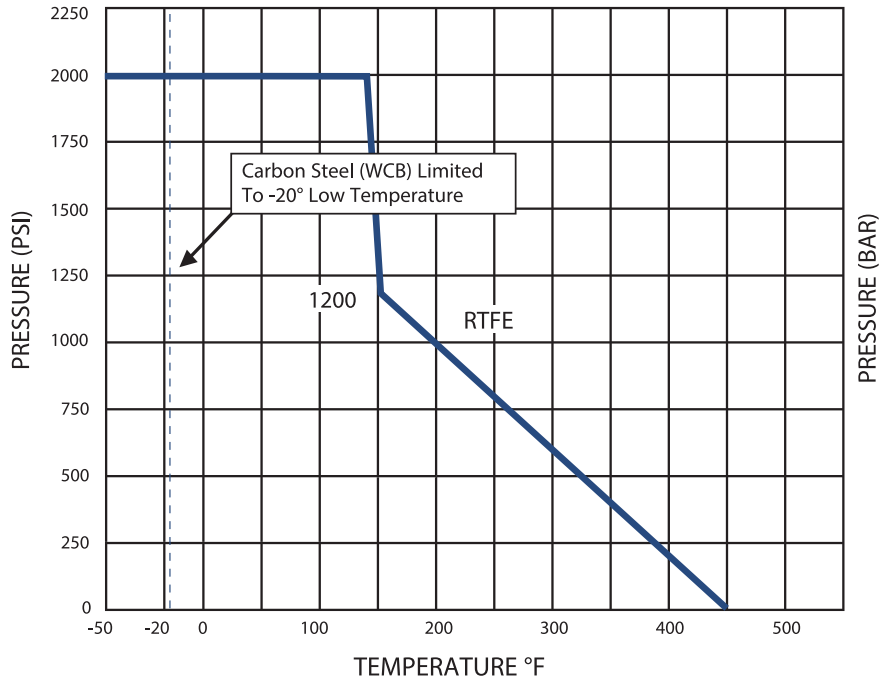
| SIZE   | d    | L    | H    | W    |
|--------|------|------|------|------|
| 1/4"   | 0.20 | 1.65 | 1.97 | 3.94 |
| 3/8"   | 0.28 | 2.05 | 2.05 | 3.94 |
| 1/2"   | 0.35 | 2.44 | 2.17 | 4.72 |
| 3/4"   | 0.74 | 2.76 | 2.28 | 4.72 |
| 1"     | 0.59 | 3.39 | 2.36 | 5.32 |
| 1-1/4" | 0.79 | 3.66 | 2.44 | 5.91 |
| 1-1/2" | 0.98 | 4.02 | 2.56 | 5.91 |
| 2"     | 1.26 | 4.49 | 2.68 | 6.30 |

APPLICABLE STANDARDS

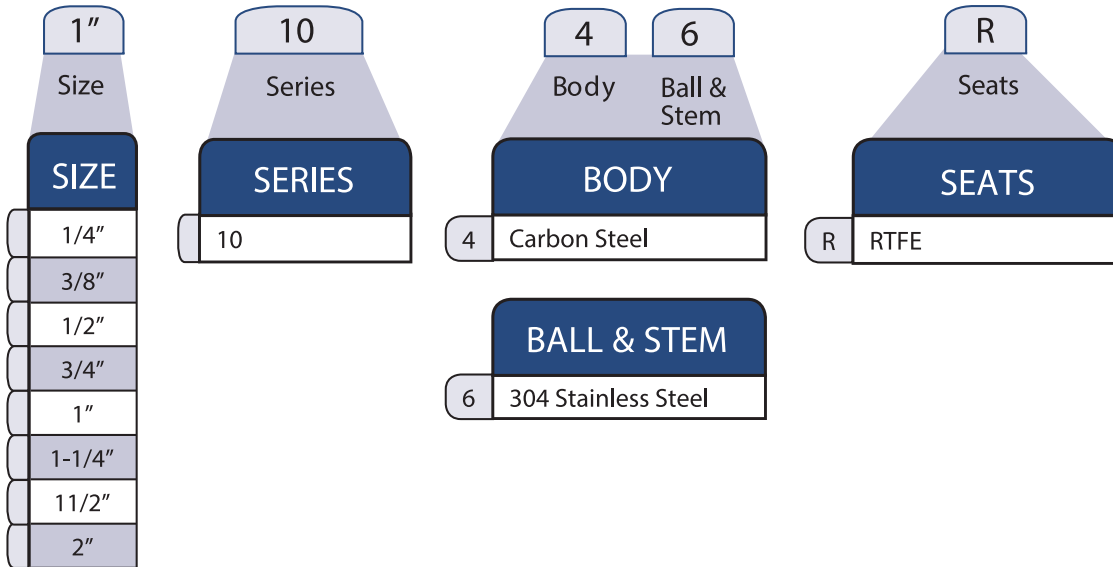
|               |             |
|---------------|-------------|
| NACE MR-1075  |             |
| THREADED ENDS | ASME B16.11 |

| SIZE   | CV (GPM) | WEIGHT (LBS) |
|--------|----------|--------------|
| 1/4"   | 2        | 0.4          |
| 3/8"   | 2.5      | 0.5          |
| 1/2"   | 5        | 0.7          |
| 3/4"   | 10       | 1            |
| 1"     | 15       | 1.9          |
| 1 1/4" | 30       | 3.1          |
| 1 1/2" | 50       | 3.5          |
| 2"     | 70       | 6.0          |

PRESSURE-TEMPERATURE RATINGS SERIES 10



HOW TO ORDER



Toll-Free (833) 831-2312

Local (312) 637-3557

Fax: (312) 637-3543

E-Mail: sales@chicagovalves.com

www.chicagovalves.com

885 Cambridge Dr.

Elk Grove Village, Illinois 60007 U.S.A.