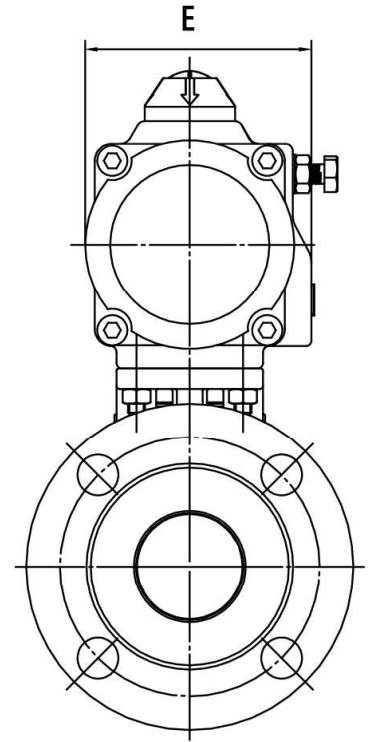
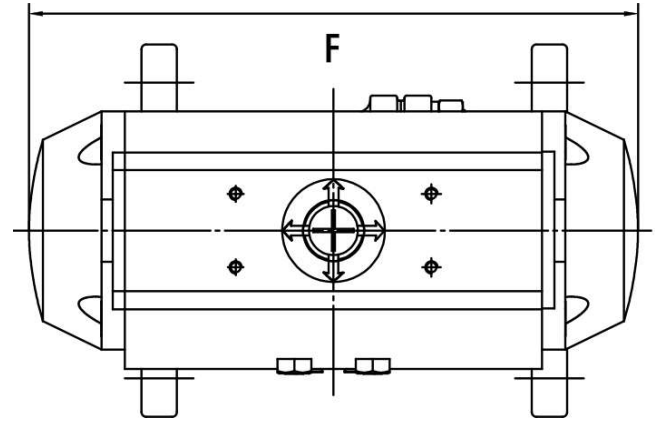
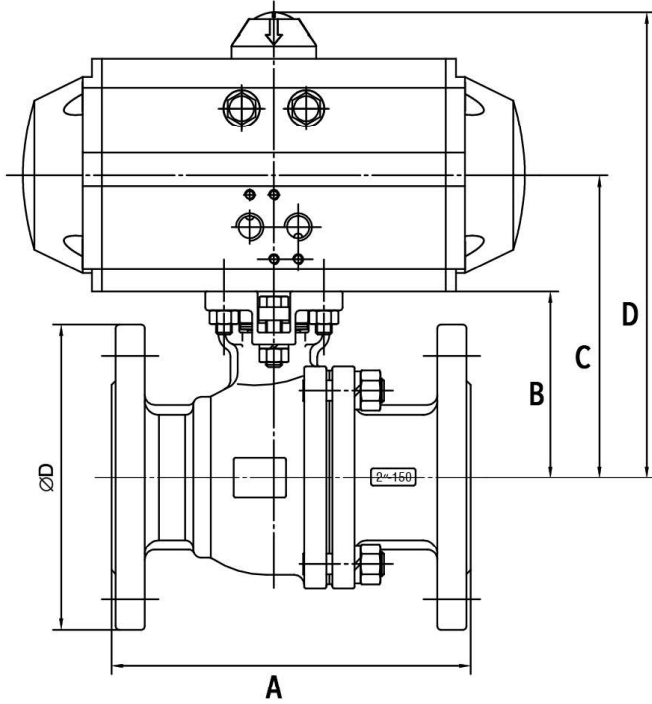


AUTOMATED BALL VALVES DIMENSIONS

SERIES 81 AND CXL PNEUMATIC ACTUATOR, DOUBLE ACTING & SPRING RETURN - CLASS 150 - 60 PSI AIR SUPPLY



DOUBLE ACTING

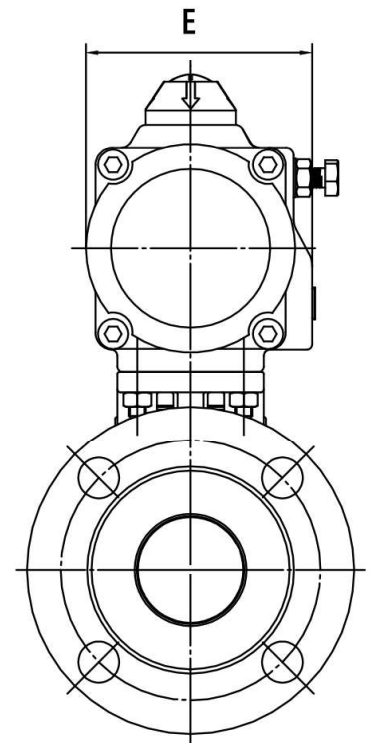
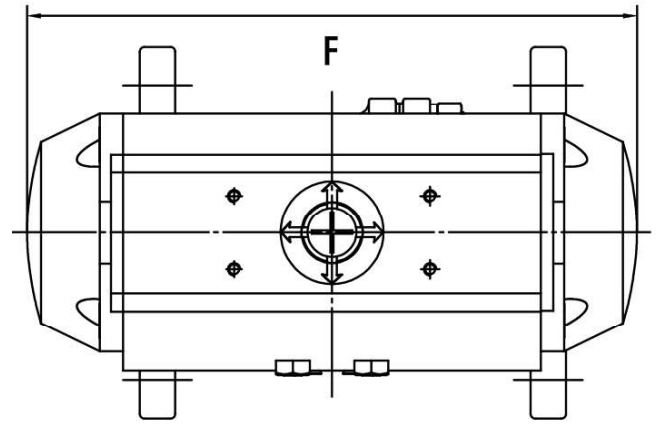
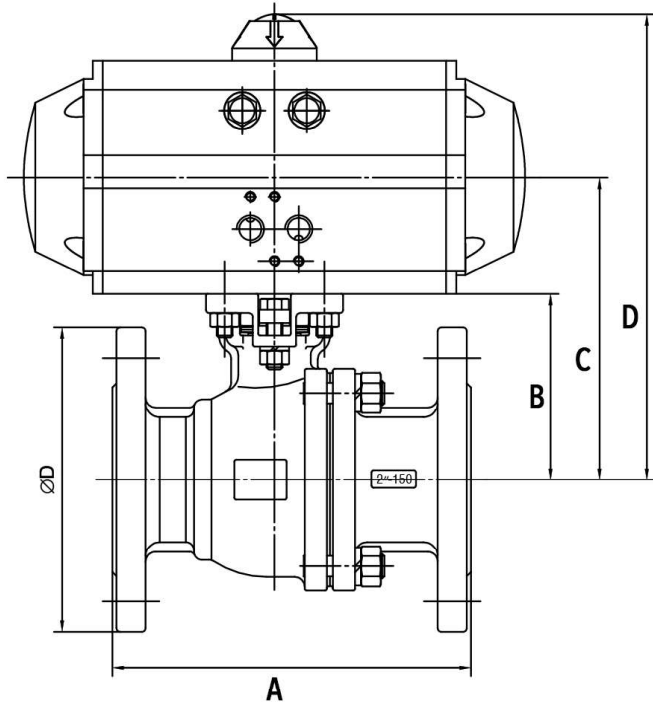
	A	B	C	D	E	F	ACTUATOR MODEL
1"	5.00	2.36	4.01	6.57	2.60	6.26	063
1½"	6.50	2.76	4.77	7.64	3.23	8.39	075
2"	7.00	3.35	5.36	8.23	3.23	8.39	075
2½"	7.50	3.74	5.75	8.62	3.23	8.39	075
3"	8.00	4.13	6.41	9.56	3.62	9.80	085
4"	9.00	5.55	8.07	11.42	4.17	10.67	100

SPRING RETURN

	A	B	C	D	E	F	ACTUATOR MODEL
1"	5.00	2.36	4.01	6.57	2.60	6.26	063
1½"	6.50	2.76	4.77	7.64	3.23	8.39	075
2"	7.00	3.35	5.63	8.78	3.62	9.80	085
2½"	7.50	3.74	6.27	9.61	4.17	10.67	100
3"	8.00	4.13	7.00	11.02	4.76	12.40	115
4"	9.00	5.55	8.66	13.03	5.12	13.62	125

AUTOMATED BALL VALVES DIMENSIONS

SERIES 81 AND CXL PNEUMATIC ACTUATOR, DOUBLE ACTING & SPRING RETURN - CLASS 150 -
80 PSI AIR SUPPLY



DOUBLE ACTING

	A	B	C	D	E	F	ACTUATOR MODEL
1"	5.00	2.36	4.01	6.57	2.60	6.26	063
1½"	6.50	2.76	4.77	7.64	3.23	8.39	075
2"	7.00	3.35	5.36	8.23	3.23	8.39	075
2½"	7.50	3.74	5.75	8.62	3.23	8.39	075
3"	8.00	4.13	6.41	9.56	3.62	9.80	085
4"	9.00	5.55	8.07	11.42	4.17	10.67	100

SPRING RETURN

	A	B	C	D	E	F	ACTUATOR MODEL
1"	5.00	2.36	4.01	6.57	2.60	6.26	063
1½"	6.50	2.76	4.77	7.64	3.23	8.39	075
2"	7.00	3.35	5.63	8.78	3.62	9.80	085
2½"	7.50	3.74	6.27	9.61	4.17	10.67	100
3"	8.00	4.13	7.00	11.02	4.76	12.40	115
4"	9.00	5.55	8.42	12.44	4.76	12.40	115