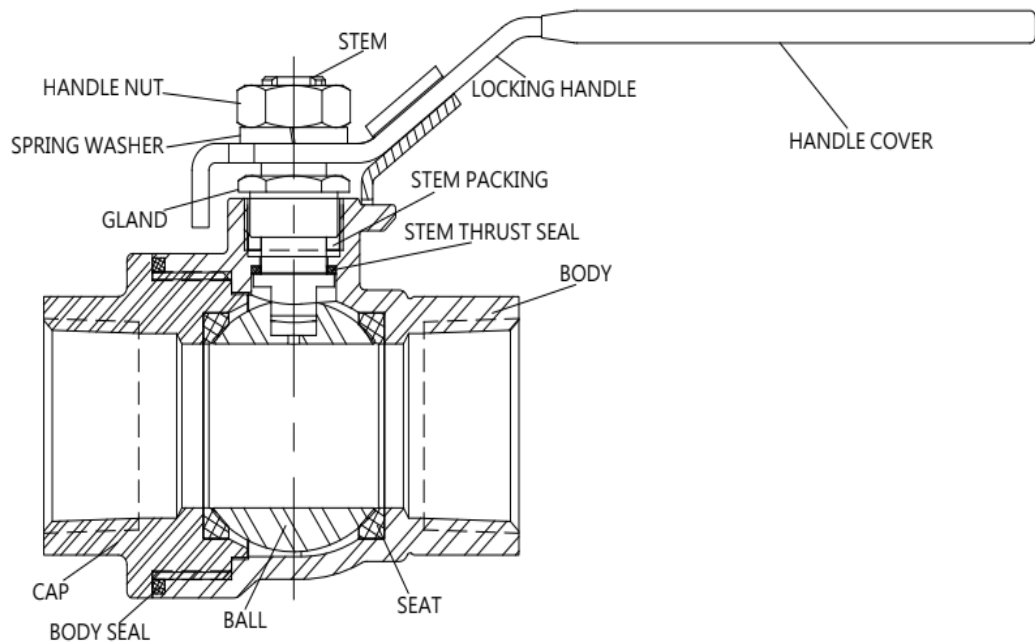


## Series 20 Two Piece Ball Valve Installation, Operation, and Maintenance Instructions



### **INSTALLATION:**

These valves may be installed in the pipeline in any orientation or position, using good piping practice. For threaded end valves, use a suitable joint compound or TFE tape on pipe threads for ease of fit-up.

### **OPERATION:**

These are quarter-turn (90° rotation) ball valves and are normally fitted with a latching lever handle for manual operation. The handles also contain travel stop tabs at the open and closed positions. To open the valve, lift the latch/lock slider up, and turn the handle counterclockwise. To close the valve, lift the latch/lock and turn the handle clockwise.

## **MAINTENANCE:**

**----WARNING----**

**Do not attempt to perform  
maintenance on valves in  
pressurized lines.**

### **Stem Seal Adjustment:**

If leakage is evident from the stem packing area, tighten the gland nut (#9) 1/8 turn. If the leakage persists, repeat tightening. When leakage cannot be corrected by tightening the gland nut, replacement of the valve will be necessary.