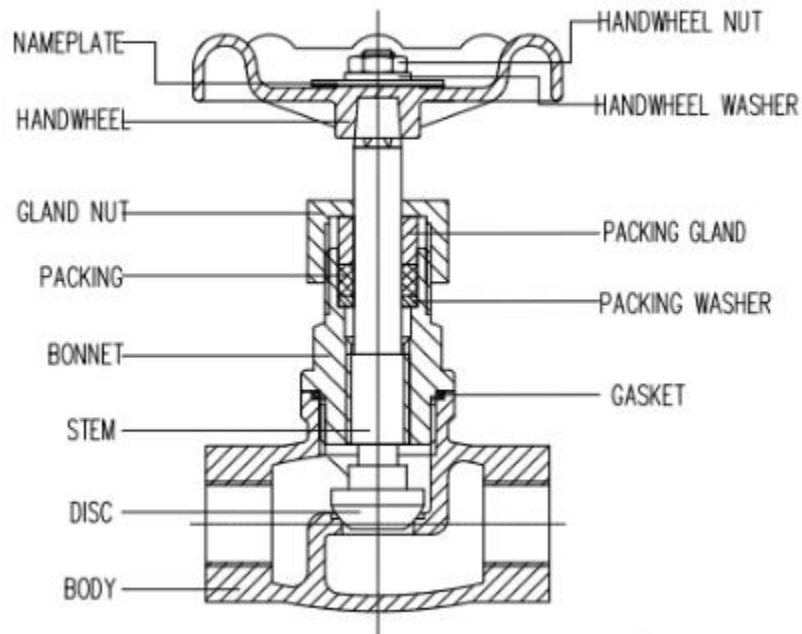


## Threaded Globe Valve – Series 326 Installation, Operation, and Maintenance Instructions



### **INSTALLATION:**

These valves may be installed in the pipeline in any orientation or position, using good piping practice. For threaded end valves, use a suitable joint compound or TFE tape on pipe threads for ease of fit-up. Take care to hold the hex end of the valve nearest the pipe when installing. Otherwise, body threads may be damaged, causing the valve to leak. Damage due to incorrect installation is not covered by our warranty.

### **OPERATION:**

Turn the hand wheel clockwise to close the valve and turn the hand wheel counter-clockwise when opening the valve.

## **MAINTENANCE:**

----WARNING----

**Do not attempt to perform  
maintenance on valves in  
pressurized lines.**

### **Stem Seal Adjustment**

If leakage is evident from the stem packing area, tighten the packing nut (below the handle) 1/8 turn. If leakage is evident from the bonnet and body joint, tighten the bonnet. If the leakage persists, repeat tightening. When leakage cannot be corrected by tightening the nut, replacement of the valve will be necessary.