

# Chicago Valves

## & Controls



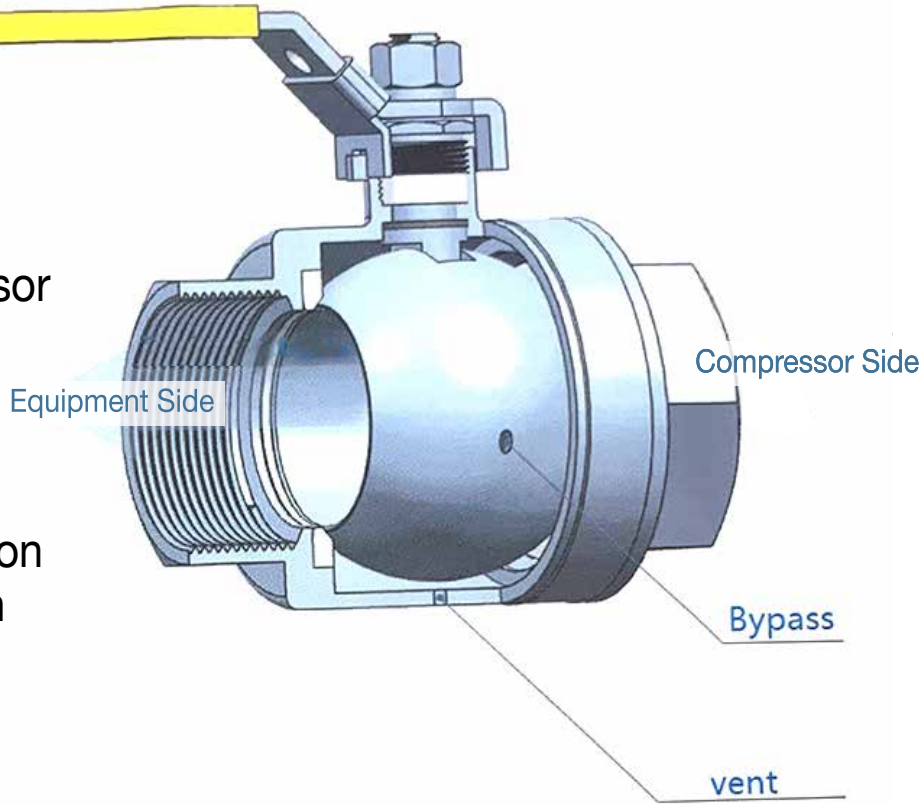
**N20 XST**

**SAFETY EXHAUST**

**BALL VALVE**

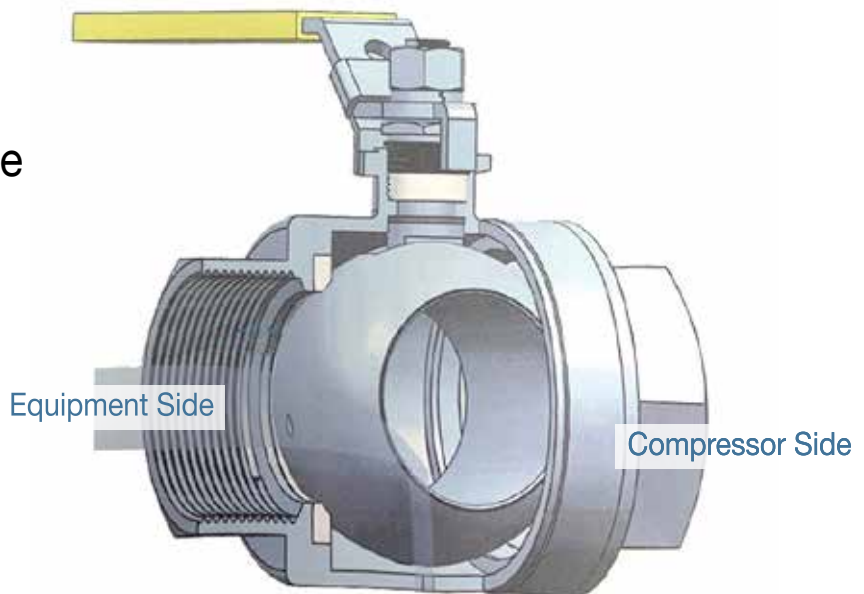
When the valve is in the open position air from the compressor is delivered down stream to pneumatic equipment.

The bypass on the ball is not engaged, and seat compression minimizes any air loss through the body.



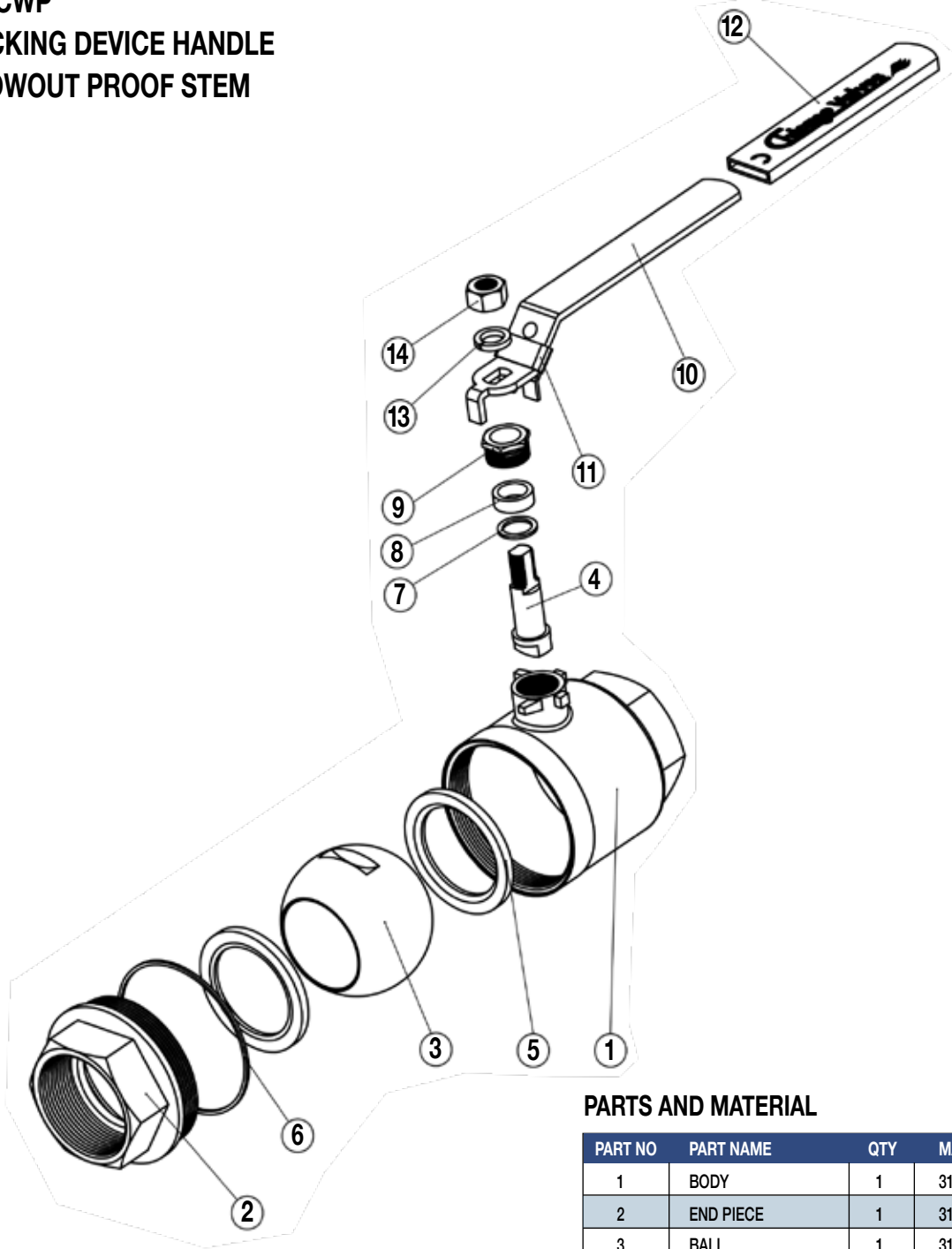
When the valve is in the closed position, the compressor side is blocked off.

The down stream equipment side is allowed to flow back past the bypass and out the vent.



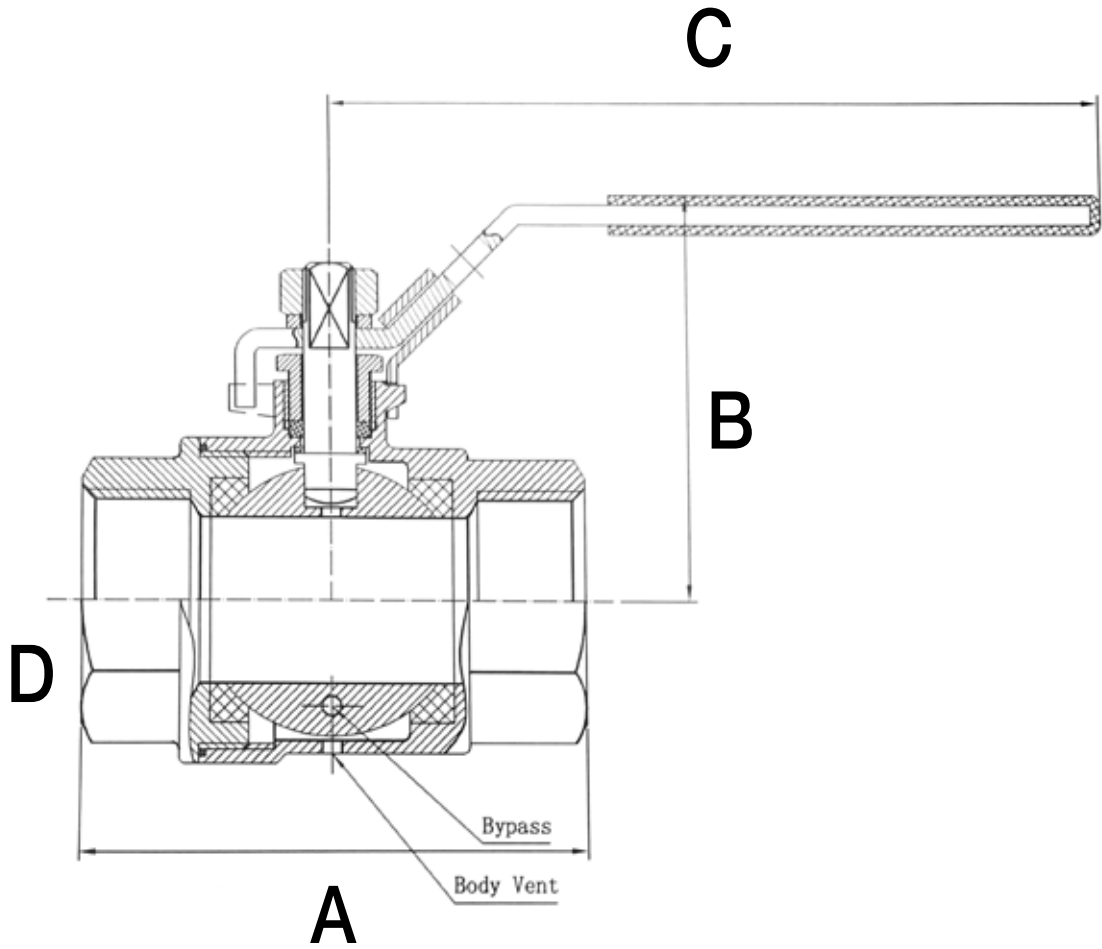
316 STAINLESS STEEL ASTM A351 CF8M  
 150CWP  
 LOCKING DEVICE HANDLE  
 BLOWOUT PROOF STEM

**N20 XST**



**PARTS AND MATERIAL**

PART NO	PART NAME	QTY	MATERIAL
1	BODY	1	316 STAINLESS STEEL ASTM A351 CF8M
2	END PIECE	1	316 STAINLESS STEEL ASTM A351 CF8M
3	BALL	1	316 STAINLESS STEEL
4	STEM	1	316 STAINLESS STEEL
5	SEAT	2	RTFE
6	BODY SEAL	1	PTFE
7	THRUST WASHER	1	PTFE
8	STEM PACKING	3	RTFE
9	PACKING NUT	1	304 STAINLESS STEEL
10	HANDLE	1	304 STAINLESS STEEL
11	LOCKING PAD	1	304 STAINLESS STEEL
12	HANDLE SLEEVE	1	PVC
13	SPRING WASHER	1	304 STAINLESS STEEL
14	HANDLE NUT	1	304 STAINLESS STEEL

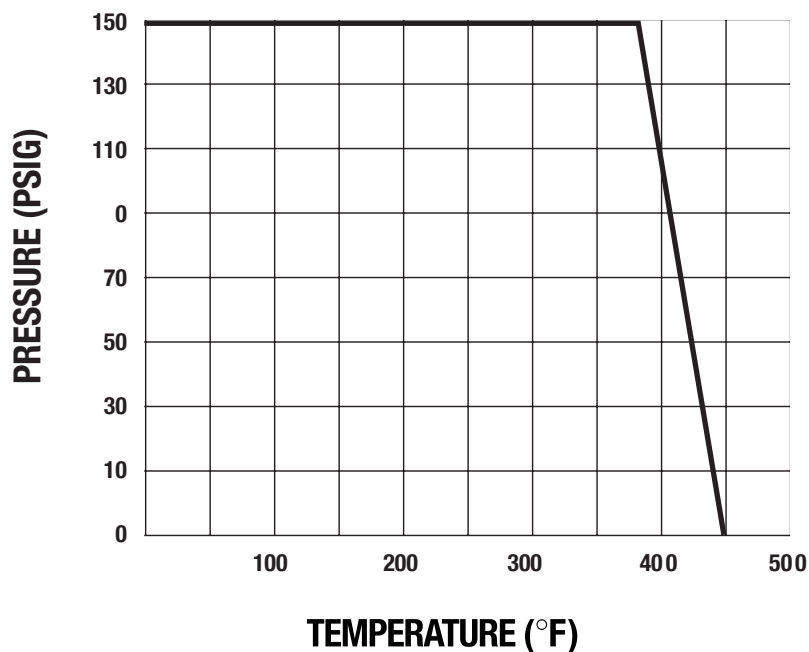


**DIMENSIONS (INCHES)**

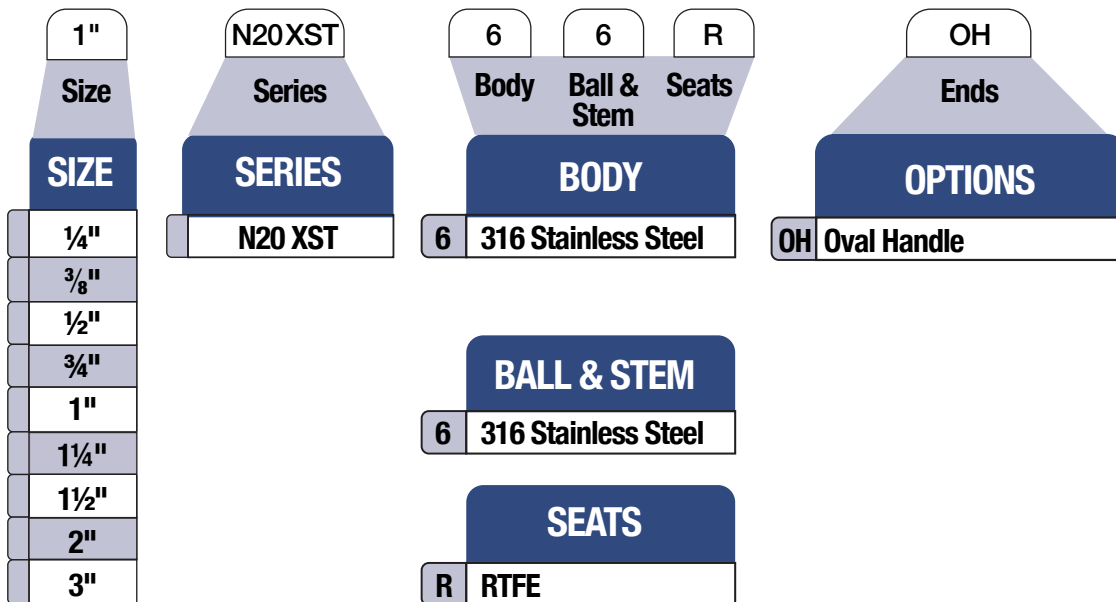
SIZE	A	B	C	D
1/4"	2.13	1.89	4.02	0.46
3/8"	2.13	1.89	4.02	0.49
1/2"	2.24	1.89	4.33	0.59
3/4"	2.68	2.07	4.92	0.79
1"	3.15	2.70	5.71	1.00
1 1/4"	3.58	2.83	5.71	1.25
1 1/2"	4.06	3.43	7.09	1.50
2"	4.88	3.78	7.09	2.00
2 1/2"	6.10	4.67	9.06	2.50
3"	7.01	5.06	9.06	3.00

APPLICABLE STANDARDS		
SHELL TEST	ASME	B16.34
SEAT TEST	ASME	B16.34
THREADED ENDS	ASTM	B16.11

SIZE	WEIGHT LBS.	CV (GPM)
1/4"	0.45	10
3/8"	0.48	10
1/2"	0.58	16
3/4"	0.80	32
1"	1.45	62
1-1/4"	2.10	115
1-1/2"	3.20	140
2"	4.75	365
2.5"	10.80	450
3"	16.00	750



## HOW TO ORDER



Toll-Free (833) 831-2312  
 Local (312) 636-3557  
 Fax: (312) 637-3543  
 Email: sales@chicagovalves.com  
 www.chicagovalve.com  
 835 Cambridge Dr.  
 Elk Grove Village, Illinois 60007 U.S.A.