

Chicago Valves

& Controls



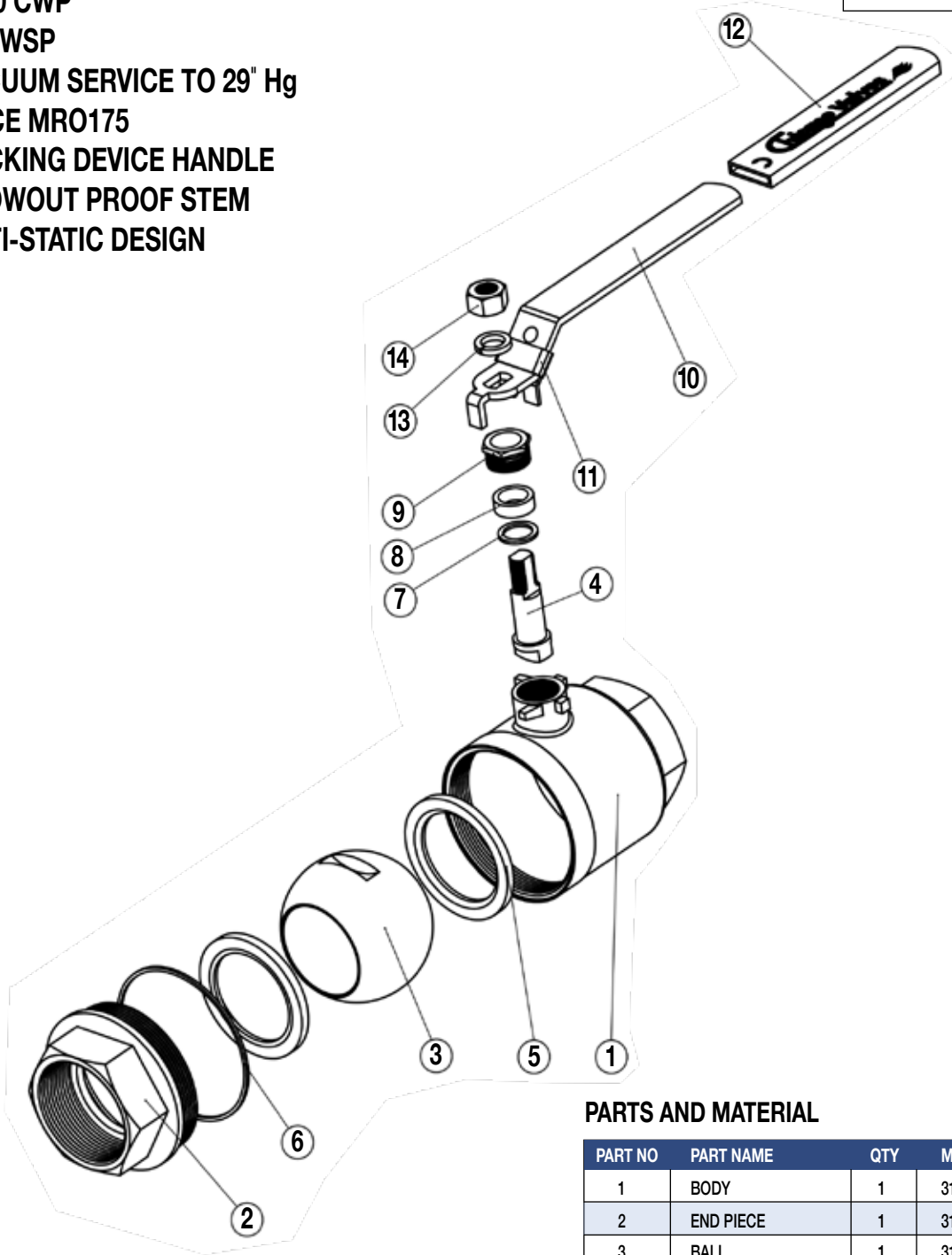
SERIES N20

FULL PORT THREADED

2 PIECE BALL VALVE

316 STAINLESS STEEL ASTM A351 CF8M
1000 CWP
150 WSP
VACUUM SERVICE TO 29" Hg
NACE MRO175
LOCKING DEVICE HANDLE
BLOWOUT PROOF STEM
ANTI-STATIC DESIGN

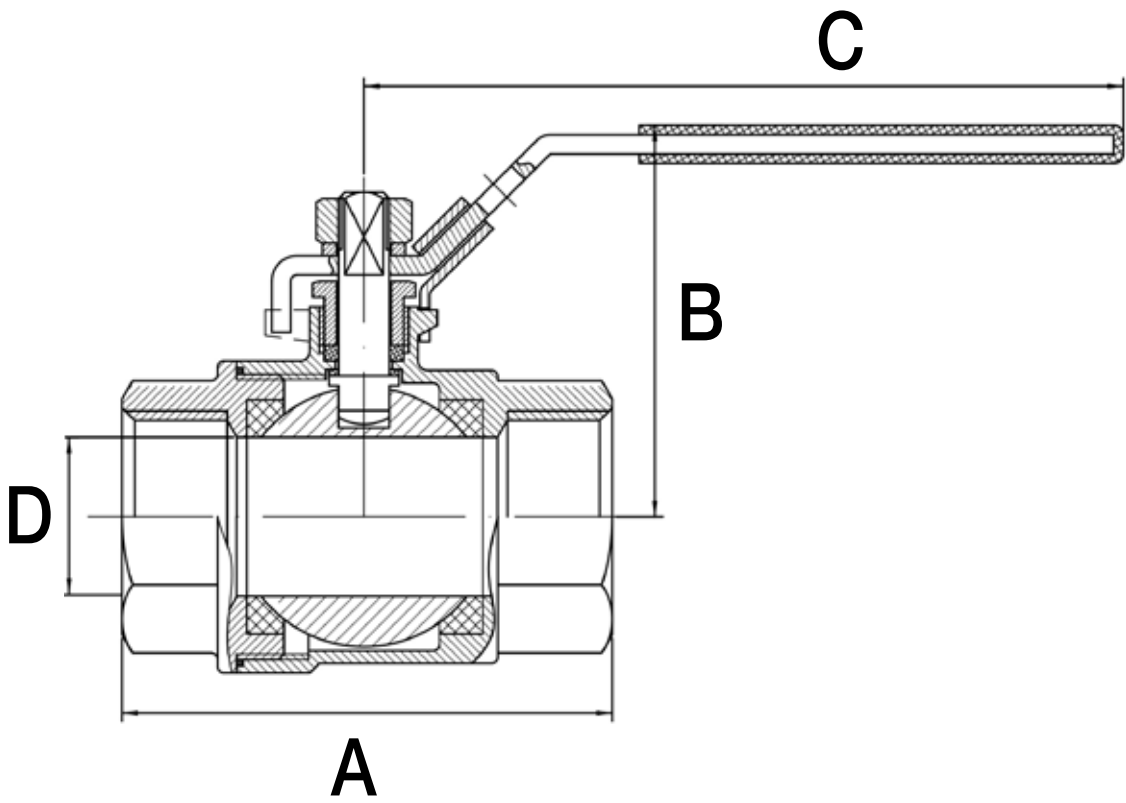
SERIES N20



PARTS AND MATERIAL

PART NO	PART NAME	QTY	MATERIAL
1	BODY	1	316 STAINLESS STEEL ASTM A351 CF8M
2	END PIECE	1	316 STAINLESS STEEL ASTM A351 CF8M
3	BALL	1	316 STAINLESS STEEL
4	STEM	1	316 STAINLESS STEEL
5	SEAT	2	RTFE
6	BODY SEAL	1	PTFE
7	THRUST WASHER	1	PTFE
8	STEM PACKING	3	RTFE
9	PACKING NUT	1	304 STAINLESS STEEL
10	HANDLE	1	304 STAINLESS STEEL
11	LOCKING PAD	1	304 STAINLESS STEEL
12	HANDLE SLEEVE	1	PVC
13	SPRING WASHER	1	304 STAINLESS STEEL
14	HANDLE NUT	1	304 STAINLESS STEEL

SERIES N20



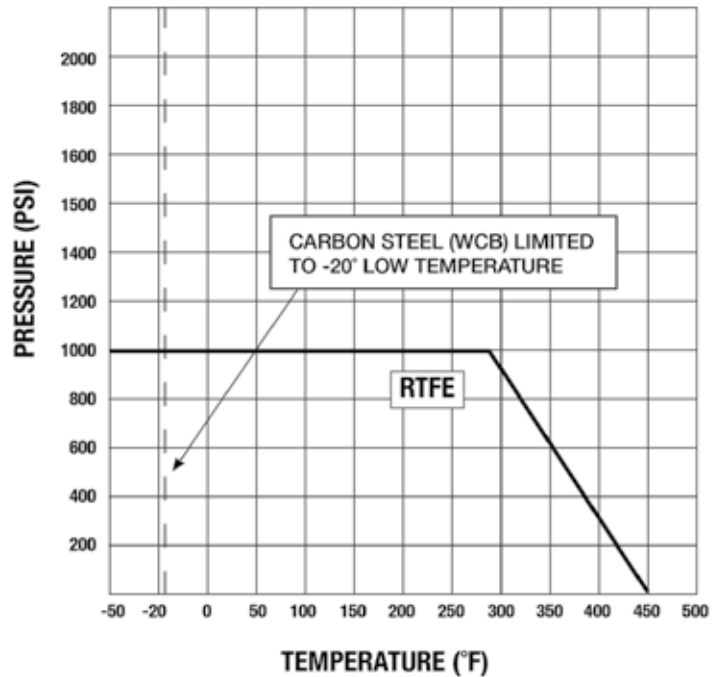
DIMENSIONS (INCHES)

SIZE	A	B	C	D
1/4"	2.13	1.89	4.02	0.46
3/8"	2.13	1.89	4.02	0.49
1/2"	2.24	1.89	4.33	0.59
3/4"	2.68	2.07	4.92	0.79
1"	3.15	2.70	5.71	1.00
1 1/4"	3.58	2.83	5.71	1.25
1 1/2"	4.06	3.43	7.09	1.50
2"	4.88	3.78	7.09	2.00
2 1/2"	6.10	4.67	9.06	2.50
3"	7.01	5.06	9.06	3.00

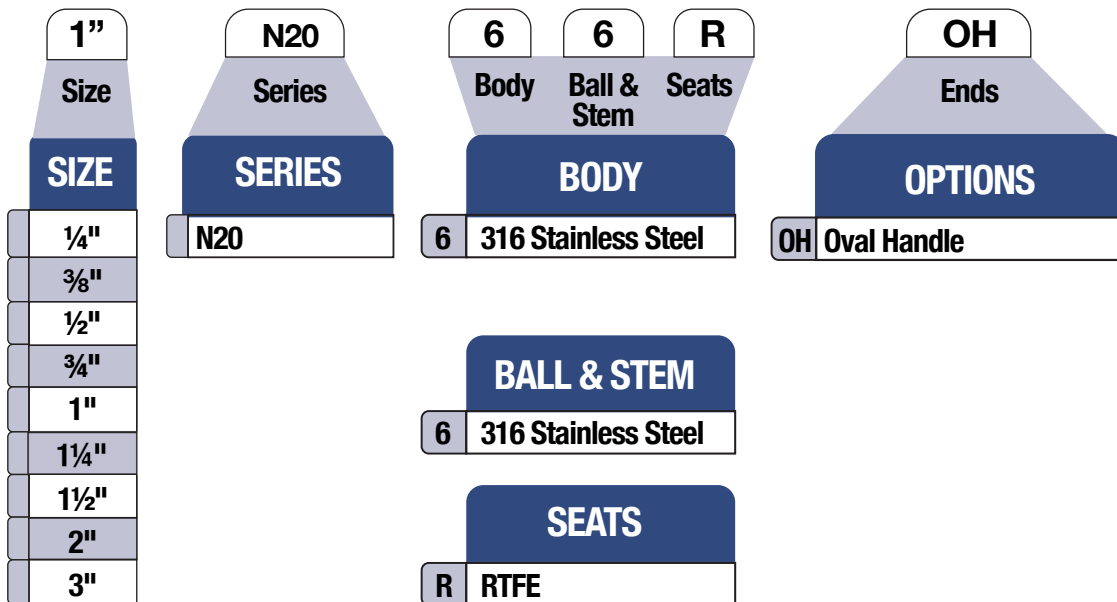
APPLICABLE STANDARDS		
SHELL TEST	ASME	B16.34
SEAT TEST	ASME	B16.34
THREADED ENDS	ASTM	B16.11

SIZE	WEIGHT LBS.	CV (GPM)
1/4"	0.45	10
3/8"	0.48	10
1/2"	0.58	16
3/4"	0.80	32
1"	1.45	62
1 1/4"	2.10	115
1 1/2"	3.20	140
2"	4.75	365
2 1/2"	10.80	450
3"	16.00	750

PRESSURE – TEMPERATURE RATINGS SERIES N20



HOW TO ORDER



Chicago Valves
& Controls



Toll-Free (833) 831-2312
 Local (312) 636-3557
 Fax: (312) 637-3543
 Email: sales@chicagovalves.com
 www.chicagovalve.com
 835 Cambridge Dr.
 Elk Grove Village, Illinois 60007 U.S.A.