

Chicago Valves & Controls



CLS 400

LIMIT SWITCH BOX

NEMA 4, 4X, IP67

Series CLS400

Description

The CLS 400 limit switch is a rotary limit switch.

It was designed to integrate valve and NAMUR 90°/180 ° pneumatic actuator or on manual valve with a variety of mounting options. The visual indicator on the top of the box can display the valve position.

Design Features

Design complies with NEMA 4, 4x, IP67

Dual ½" NPT cable entries

Comply to NAMUR VDI/VDE 3845

With spring loaded cams, easily set limit positions

Aluminum die casting with polyester powder coating

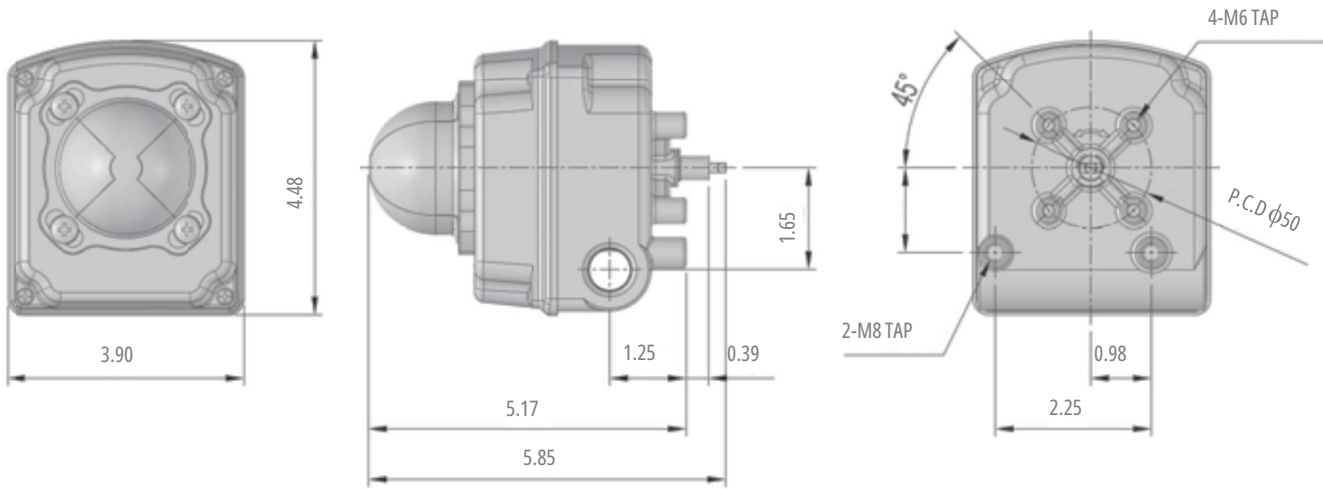
Technical Data

- Box Housing – Die Casting Aluminum
- Box Cover – Die Casting Aluminum
- Shaft – Stainless Steel
- Indicator Cover – Poly Carbonate
- Indicator Fasteners – Stainless Steel
- O Ring – NBR
- Conduit Entries ½ NPT
- Temperature -4° to 158°F
optional -40° to 178°F
-76° to 178°F
- Terminal Strip Contacts – 8
- Mounting Brackets – Stainless Steel and Carbon Steel

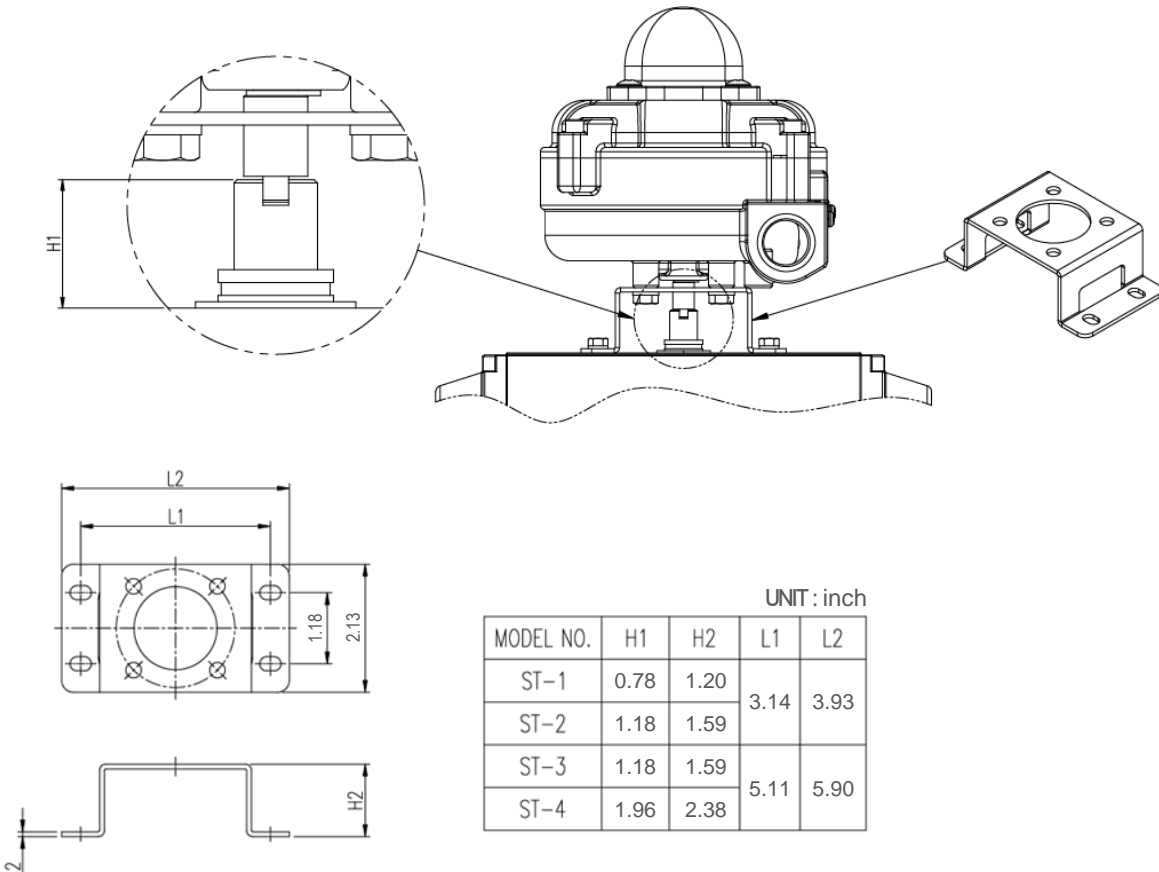
Specifications

Model		CLS400M	CLS400P
Switch type		Mechanical switch 2xSPDT	Inductive proximity sensor
		KW3A-16Z3-A100 (Dongnan)	PSN17-5DNU (Autonics)
Switch rating	AC	16A,125/250V	-
	DC	30V, 10A	10~30V
Ingress protection		NEMA 4, 4X	
Conduit entry		2 x NPT ½", G(PF)1/2, M20	
Ambient Temp.		-4°F to 158°F	
Terminal		8 Points	
Material		Aluminum die cast	
Painting		Polyester powder coating	
Weight		1.55 lb	

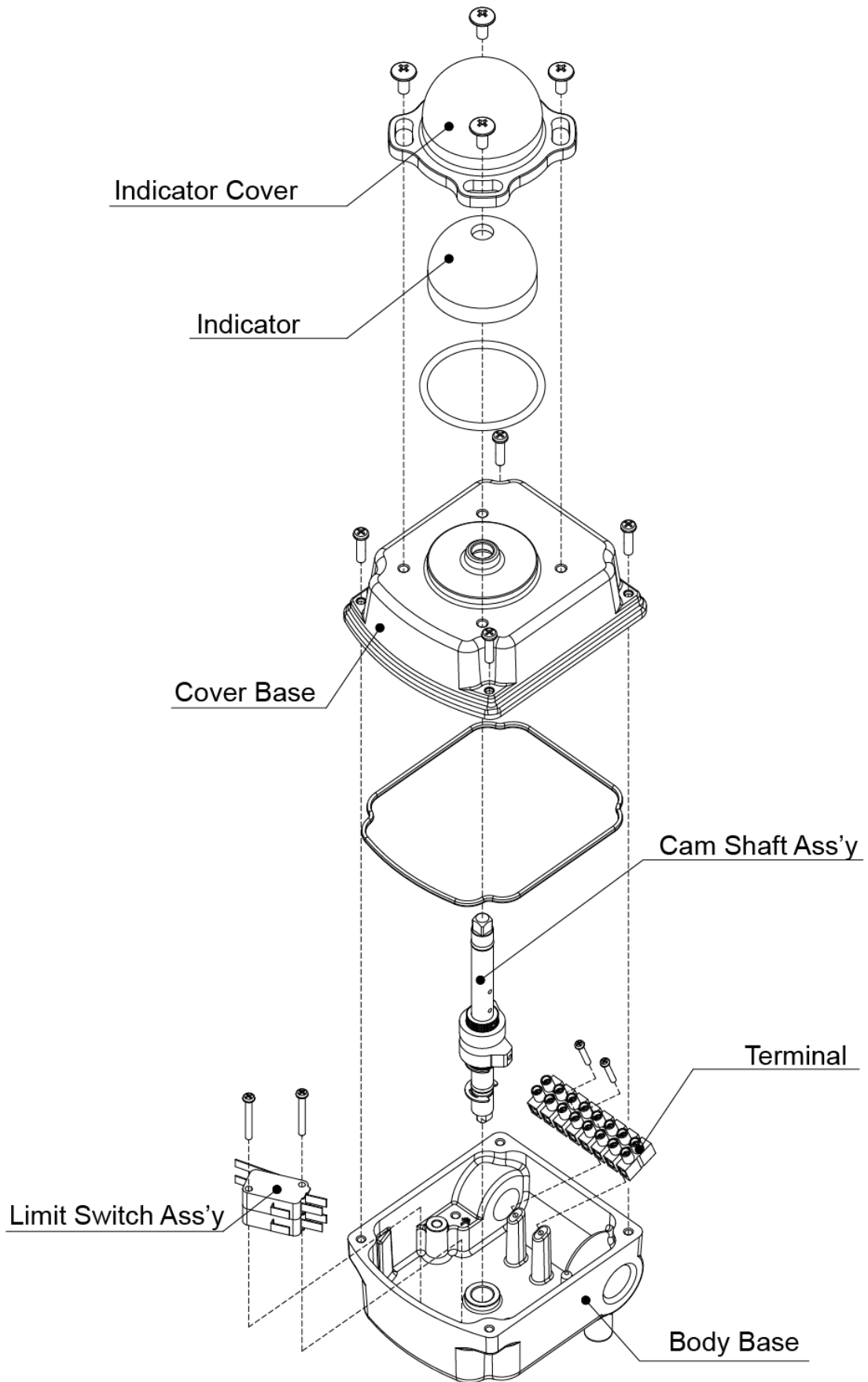
Dimension (inch)



Bracket Dimension (inch)



Structure



How To Order

CLS 400	M	1	S	0
Series	Switch Type	Conduit Entry	Temperature	Bracket Type
	M Mechanical (2xSPDT)	1 NPT ½"	S -4°F - 158°F	0 None
	P Proximity	2 M20x1.5P	L -40°F - 158°F	1 ST-1 (1.18x3.15,H0.79)
	D Mechanical (2xDPDT)	3 G1/2	U -76°F - 158°F	2 ST-2 (1.18x3.15,H1.18)
				3 ST-3 (1.18x5.5,H1.18)
				4 ST-4 (1.18x5.5,H1.97)

		Toll-Free (833) 831-2312
		Local (312) 637-3557
		Fax: (312) 637-3543
		E-Mail: sales@chicagovalves.com
		www.chicagovalves.com
		885 Cambridge Dr.
		Elk Grove Village, Illinois 60007 U.S.A.

Due to ongoing development of our product line, specifications subject to change without notice.
Teflon® is a registered trademark of E.I. DuPont.