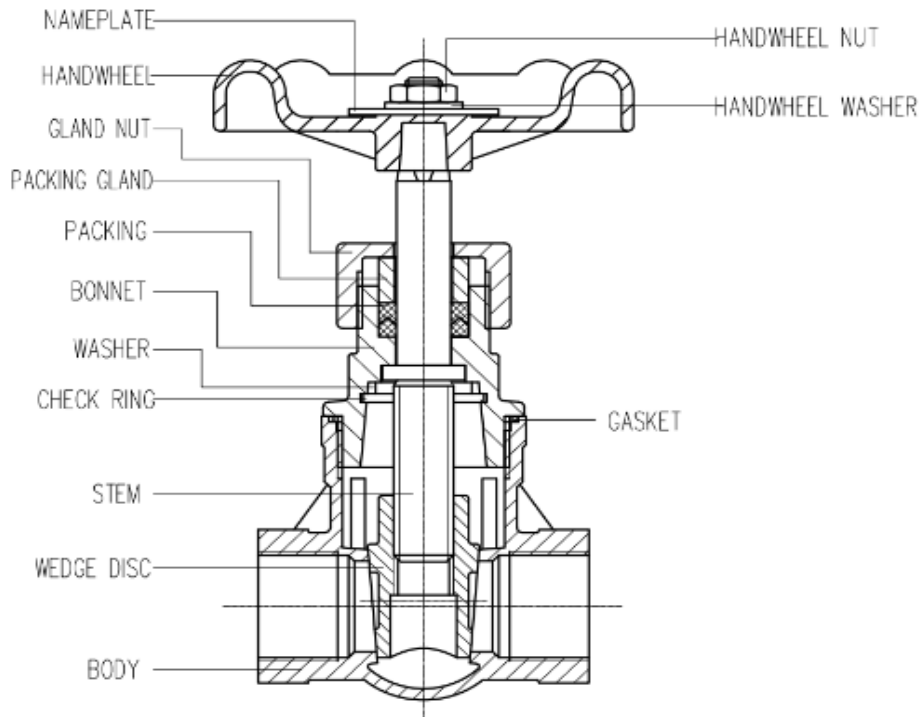


Series 226 Gate Valve 200 PSI WOG at 350°F Installation, Operation, and Maintenance Manual



Operation:

Turn the hand wheel clockwise to close the valve and turn the hand wheel counter clockwise to open the valve.

Installation:

- These valves may be installed in the pipeline in any orientation or position, using good piping practice
- Before installing the valves, the pipes must be flushed clean of dirt, burrs and welding residues to prevent damage to the seats and disc surfaces
- The pipeline must be free of tension. Damage due to incorrect installation is not covered by our warranty.

Installation of Threaded End valves

Use conventional sealant, such as TFE tape, etc. on the threads.

Welding of Socket Ends:

The following welding instructions are to protect the internal components of CVC Gate, Globe and Check Valves with socket weld ends with PTFE bonnet seals and stem packing from excessive weld heat which could damage the trim and working function of the valve. The installer shall be responsible for all welding procedures and qualifications.

- Be sure the ends of the pipe that are to be welded are clean to the bare metal. Any contaminants in the weld area could cause porosity in the weld.
- Bring the valve to fully open position for the welding process.
- Position the valve in your piping scheme, being sure you achieve standard end gap of the end of the pipe to the end of the valve.
- If you need to tack weld in place, apply only two small tacks per end.
- Immediately cool all portions of valve and pipe so the parts are cool to the touch. Non oily shop air or air convection can accomplish this.
- Tightly wrap a damp cotton shop towel or cloth around the valve exposing only the ends needing welding and the handle.
- Weld one end all the way around with a maximum fillet size. As soon as possible, cool weld area with a damp cloth or by quenching with cool water until all of the valve and weld area is cool to the touch.
- Remove cloth that is wrapped around the body of the valve. Cool, re-soak with water and rewrap tightly around valve body before welding the other side.

WARNING: Temperature in excess of 350°F at the critical area shown below will damage the integrity of the seals. Monitor with Tempilstik® or pyrometer is recommended.